



Burr-Brown Products
from Texas Instruments

Sensor-Emulator-EVM System Reference Guide

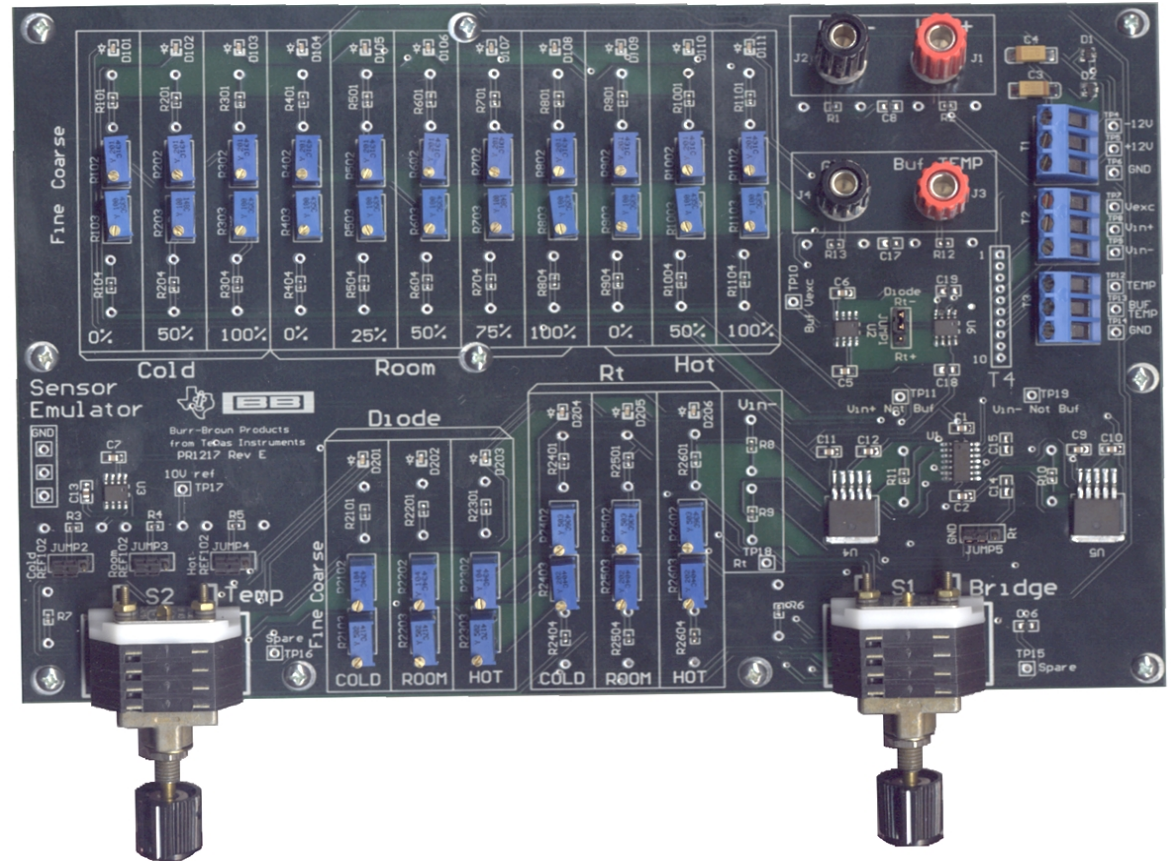
by Art Kay
High-Precision Linear Products

SBOA102A



Sensor-Emulator-EVM

- Simplifies Development of Voltage Excited Bridge Sensor Signal Conditioning Systems
- Provides Eleven Different Emulated Sensor Output Conditions
- Provides Three Different Emulated Temperature Signals for Diode or Series Resistor Methods of Bridge Sensor Temperature Monitoring
- Emulates Bridge Outputs
 - Cold Temp: 0%, 50%, 100%
 - Room Temp: 0%, 25%, 50%, 75%, 100%
 - Hot Temp: 0%, 50%, 100%
- LED Indicators for Emulation at a Glance



Sensor Emulator EVM



Table of Contents

Pages

1.0 Introduction to the Sensor-Emulator-EVM.....	4-5
2.0 Overview Hardware Emulation of a Real World Sensor.....	6-15
3.0 Changing the Programmable Range of the Emulator.....	17
4.0 Required Electrical connections.....	18-25
5.0 Configuring the Sensor-Emulator-EVM to Emulate a Real World Sensor...	26-43
6.0 Schematic of Sensor-Emulator-EVM.....	44
7.0 Parts List for Sensor-Emulator-EVM.....	45-46

Note: Some sections of this user's guide reference use of the PGA309EVM. This is done for ease of documenting features available on the Sensor-Emulator-EVM which will work with any bridge sensor signal conditioning chip which uses voltage bridge excitation.

1.0 Introduction to The Sensor Emulator



Q: *What is the sensor emulator?*

A: The sensor emulator is a design that uses rotary switches and potentiometers to emulate the operation of a resistive bridge sensor at discrete operating points, for voltage excitation applications.

Q: *Why use the sensor emulator?*

A: Once the sensor emulator has been programmed, it allows the user to cycle through a set of sensor output conditions very quickly. Doing this with a real sensor can be extremely time consuming because it can take several hours to cycle through various temperatures. Also, some sensors have non-repeatability issues. For example, pressure sensors can have pressure hysteresis and temperature hysteresis. The emulator does not have non-repeatability issues (repeatability errors are typically less than 0.03%). This approach allows the user to program the sensor signal conditioning chip many different ways to quickly and easily assess the optimal calibration settings for a given application.

1.0 Introduction to The Sensor Emulator



Q: *Why not just use a precision voltage source to emulate a sensor?*

A: A precision voltage source is not affected by changing sensor excitation. Many sensor signal conditioning chips modulate the sensor excitation to compensate for sensor nonlinearity. In this case (and in the case of a ratiometric system), a precision voltage source would not work. Also, it is much more convenient to have all the different sensor conditions pre-programmed so that you can quickly transition from one condition to another without having to reprogram the source at each different condition.

2.0 Overview of Hardware Emulation of a Real World Sensor



- Description of real world bridge sensors
 - Temperature Drift and Nonlinearity versus applied stimulus
 - Measurement of the sensor temperature
- Description of how Sensor-Emulator-EVM circuitry produces signals equivalent to real world sensors
 - Emulates four different real world configurations

Bridge Sensor Output

Output With No Stimulus Applied (Offset)

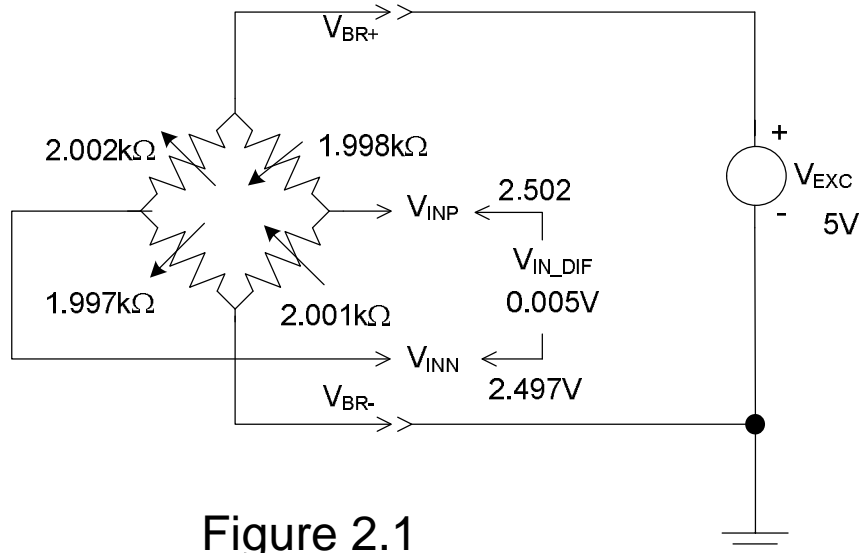


Figure 2.1

Output With Full Scale Stimulus Applied

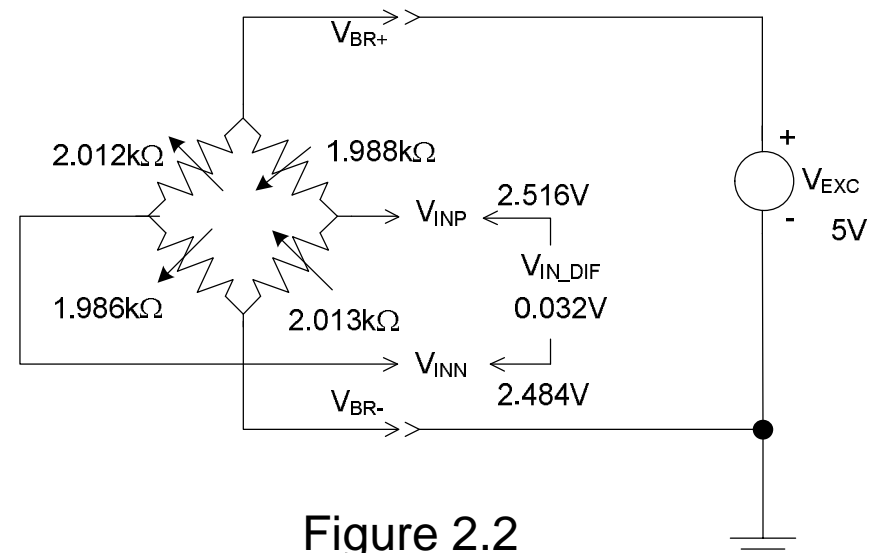


Figure 2.2

Figure 2.1 is an example of a typical resistive bridge sensor with no applied stimulus. With no stimulus applied, the resistors ideally would be perfectly matched and the sensors' output (V_{IN_DIF}) would be zero. Most practical sensors, however, will have some output resulting from resistor mismatch. The output signal with no applied stimulus is called **offset**. Figure 2.2 is an example of a typical resistive bridge sensor with full scale stimulus applied. For the example sensor, the offset is 5mV (Figure 2.1) and the full scale output is 32mV (Figure 2.2). Span is defined as the difference between the full scale stimulus and the offset (Span = Full Scale Output – Offset).

Drift and Nonlinearity with a Bridge Sensor

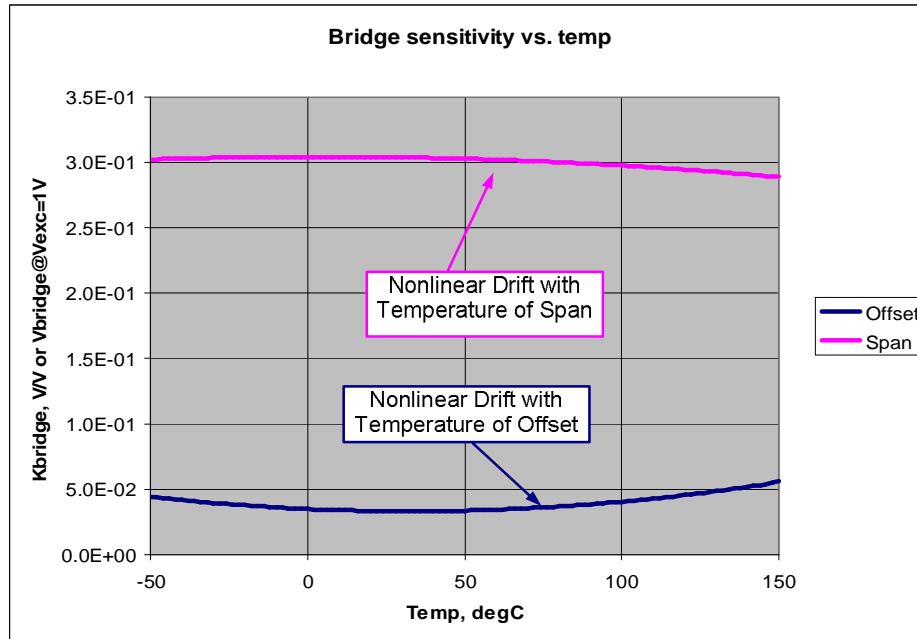


Figure 2.3

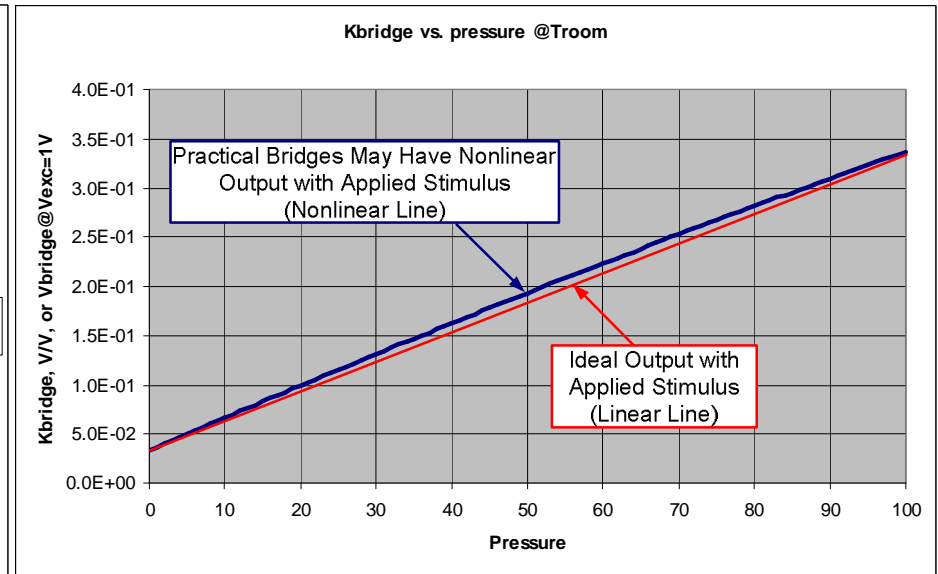


Figure 2.4

An important aspect of pressure sensors is how they drift with temperature. Figure 2.3 is an example of span and offset drift with temperature for a typical resistive bridge sensor. Note that the drift is fairly large and nonlinear. Figure 2.4 is an example of how a bridge sensor can be nonlinear with applied stimulus (in this example the stimulus is pressure). The sensor emulator can be configured to reproduce these characteristics for most sensors. Note that the graphs are shown in a normalized format. The normalized format allows the graph to be easily scaled by multiplying by the bridge excitation voltage.

Emulating Bridge Sensor Outputs

This is a simplified diagram of how the sensor emulator generates a bridge output voltage. The potentiometer R102 is adjusted to set the output voltage of the emulated bridge (V_{in+} with respect to V_{in-}). The potentiometer R103 is used to make fine adjustments in the output value. R8 and R9 set a common mode voltage for the other leg of the bridge. R101 and R104 set the adjustable output range of the emulated bridge. For the configuration shown, the output range is -25mV to +26mV ($V_{dif} = V_{in-} - V_{in+}$). Selecting a different value for R101 and R104 can expand this range. On the Sensor-Emulator-EVM, 11 channels like this one are selectable using a rotary switch.

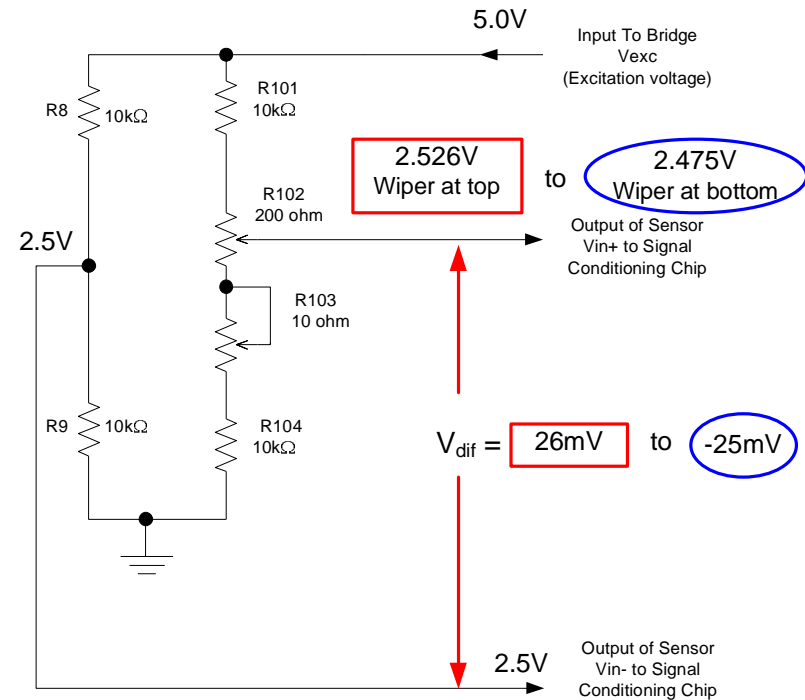


Figure 2.5

Positive full scale of the emulator

$$V_{exc} := 5 \quad R_{104} := 10 \cdot 10^3 \quad R_{102} := 200 \quad R_{101} := 10 \cdot 10^3$$

$$R_{102a} := 200 \quad \text{Wiper position at top of POT}$$

$$R_{103} := 10 \quad \text{Pot set to maximum Resistance}$$

$$V_{dif} := \frac{V_{exc} \cdot (R_{104} + R_{103} + R_{102a})}{R_{101} + R_{104} + R_{103} + R_{102}} - \frac{V_{exc}}{2}$$

$$V_{dif} = 0.026 \quad \text{Positive full scale output of emulator}$$

Negative full scale of the emulator

$$V_{exc} := 5 \quad R_{104} := 10 \cdot 10^3 \quad R_{102} := 200 \quad R_{101} := 10 \cdot 10^3$$

$$R_{102a} := 0 \quad \text{Wiper position at bottom of POT}$$

$$R_{103} := 0 \quad \text{Pot set to Minimum Resistance}$$

$$V_{dif} := \frac{V_{exc} \cdot (R_{104} + R_{103} + R_{102a})}{R_{101} + R_{104} + R_{103} + R_{102}} - \frac{V_{exc}}{2}$$

$$V_{dif} = -0.025 \quad \text{Negative full scale output of emulator}$$

Emulating a Temperature Sensor with a Series Bridge Resistor

(R_{t-} connected to the bottom of the bridge)

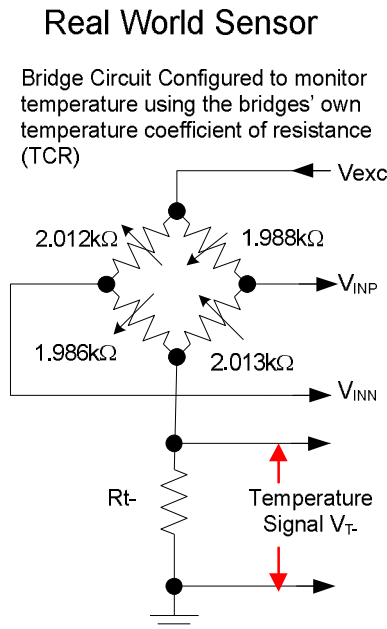


Figure 2.6

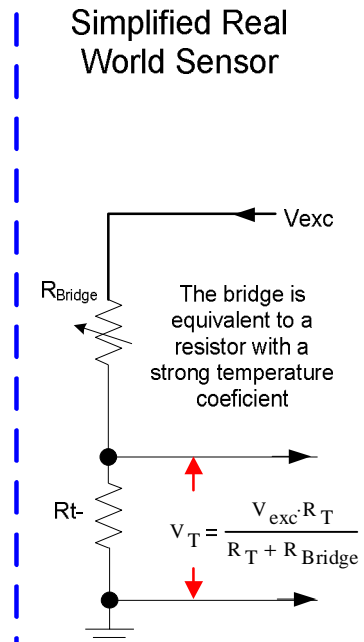


Figure 2.7

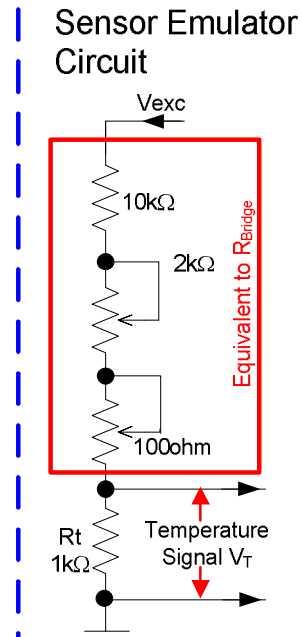


Figure 2.8

Figure 2.6 illustrates one method for monitoring the temperature of a real world bridge sensor. In this type of circuit the resistance of the bridge has a strong temperature coefficient. The bridge resistance generates a bridge current with a strong temperature coefficient, which generates a voltage across the temperature sensing resistor (R_t). R_t is typically located remotely from the bridge and should not have a strong temperature coefficient. Note that R_t can be connected to the top or bottom of the bridge. This diagram illustrates the case where it is connected to the bottom of the bridge. The sensor emulator circuit has three channels to emulate the R_t temperature signal that are selectable through a rotary switch.

An important aspect of the R_t method of temperature sensing is the reduction of the excitation voltage across the bridge by the series R_t resistance. For example, if $V_t = 1V$ and $V_{exc} = 5V$, then only 4V remains for the bridge excitation. This phenomena is modeled by the sensor emulator and the detail of how this works are described in Figure 2.15.

Emulating a Temperature Sensor with a Series Bridge Resistor

(R_{t+} connected to the top of the bridge)

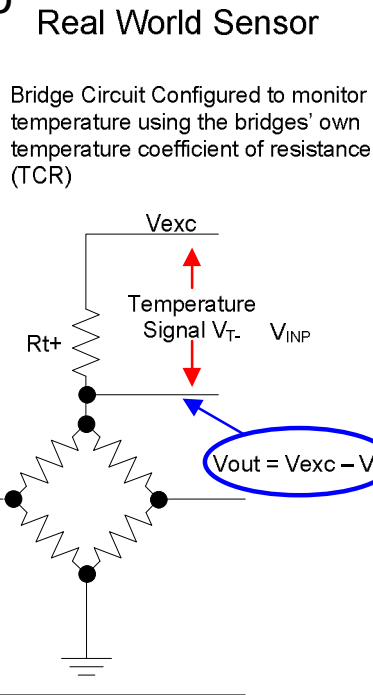


Figure 2.9

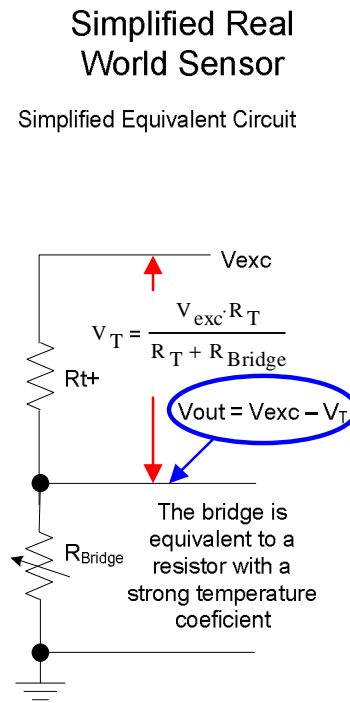


Figure 2.10

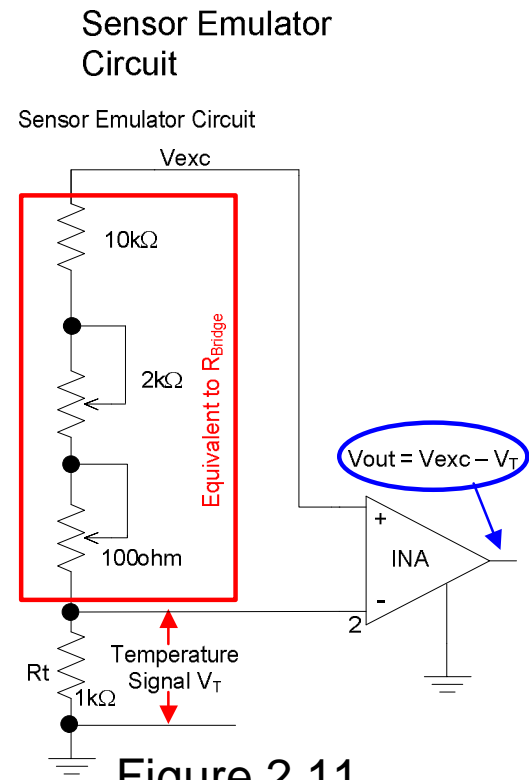


Figure 2.11

The sensor emulator circuit can also emulate the case where the temperature sense resistor is connected to the top of the bridge. This is done using an instrumentation amplifier to translate the voltage signal to be referenced to V_{exc} rather than ground. This mode of operation is selected by a jumper (JUMP1). This circuit also feeds the temperature signal back to the bridge emulator to adjust the excitation across the bridge, as in the real world case. The details of how this feedback works are described in Figure 2.15.

Diode Temperature Sensor Emulator

Real World Sensor

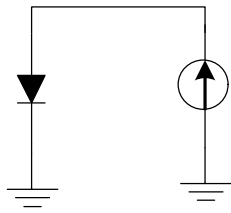


Figure 2.12

Sensor Emulator with External I_{exc}

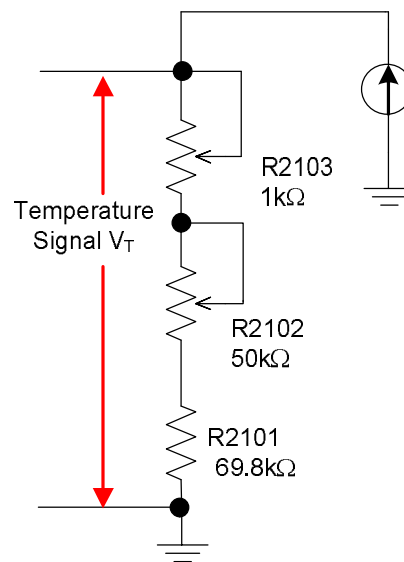


Figure 2.13

Sensor Emulator with Onboard Reference

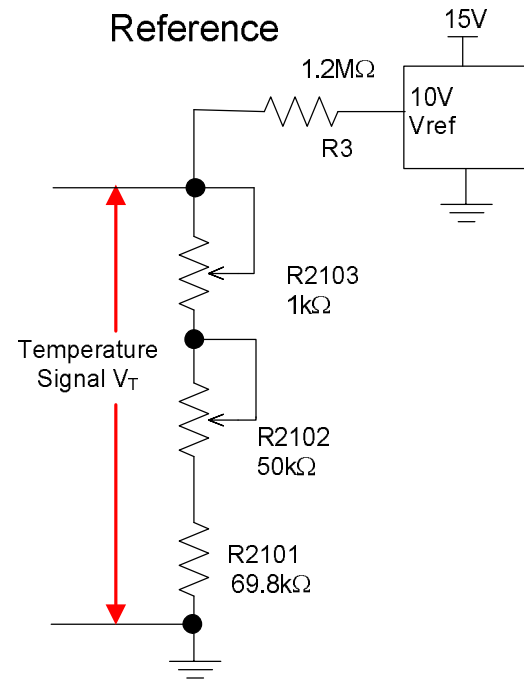


Figure 2.14

Figure 2.12 illustrates another method for monitoring the temperature of a real world sensor. In this type of circuit a diode is placed in close thermal contact with the bridge and a constant current is driven through the diode. The diode voltage is a reasonably linear function with temperature (the slope is approximately $-2\text{mV} / ^\circ\text{C}$). The emulator circuit shown in Figure 2.13 uses resistors to develop a voltage equivalent to the diode voltage. Figure 2.14 shows how the emulator can be used to develop an equivalent diode drop if an external current source is not available.

Emulation Case 1: R_t - (Resistance in the Bottom of The Bridge)

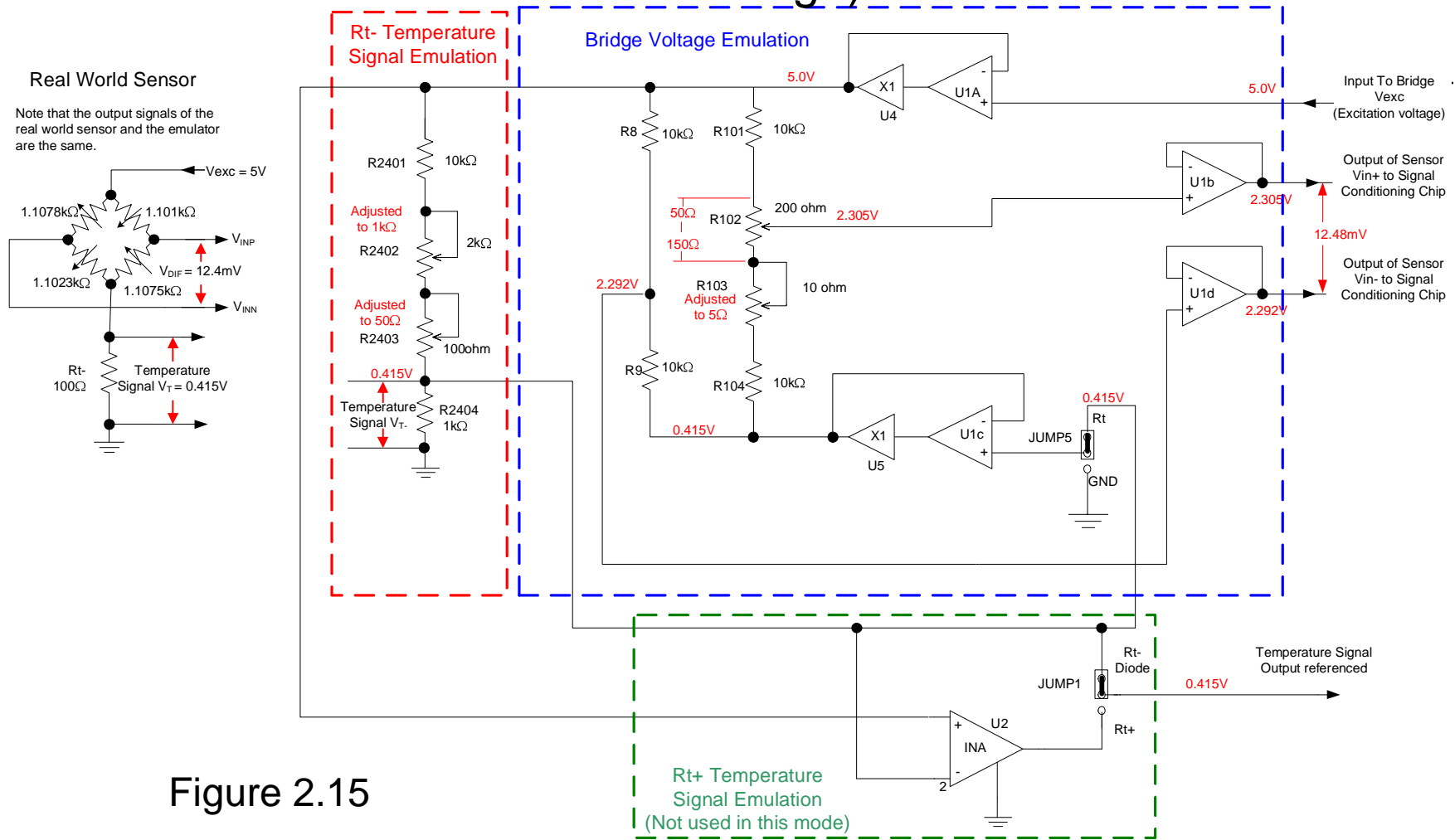


Figure 2.15

This diagram illustrates how the emulator generates the bridge output and temperature signals for the circuit where the sense resistor is connected to the bottom of the bridge. Note how the output voltage of the temperature emulator (0.415V) is fed back to the bottom of the bridge emulator via the buffer circuit (U5 and U1c), to emulate the bridge excitation change due to R_t in series with the bridge in the real world.

Emulation Case 2: R_{t+} (Resistance in the Top of The Bridge)

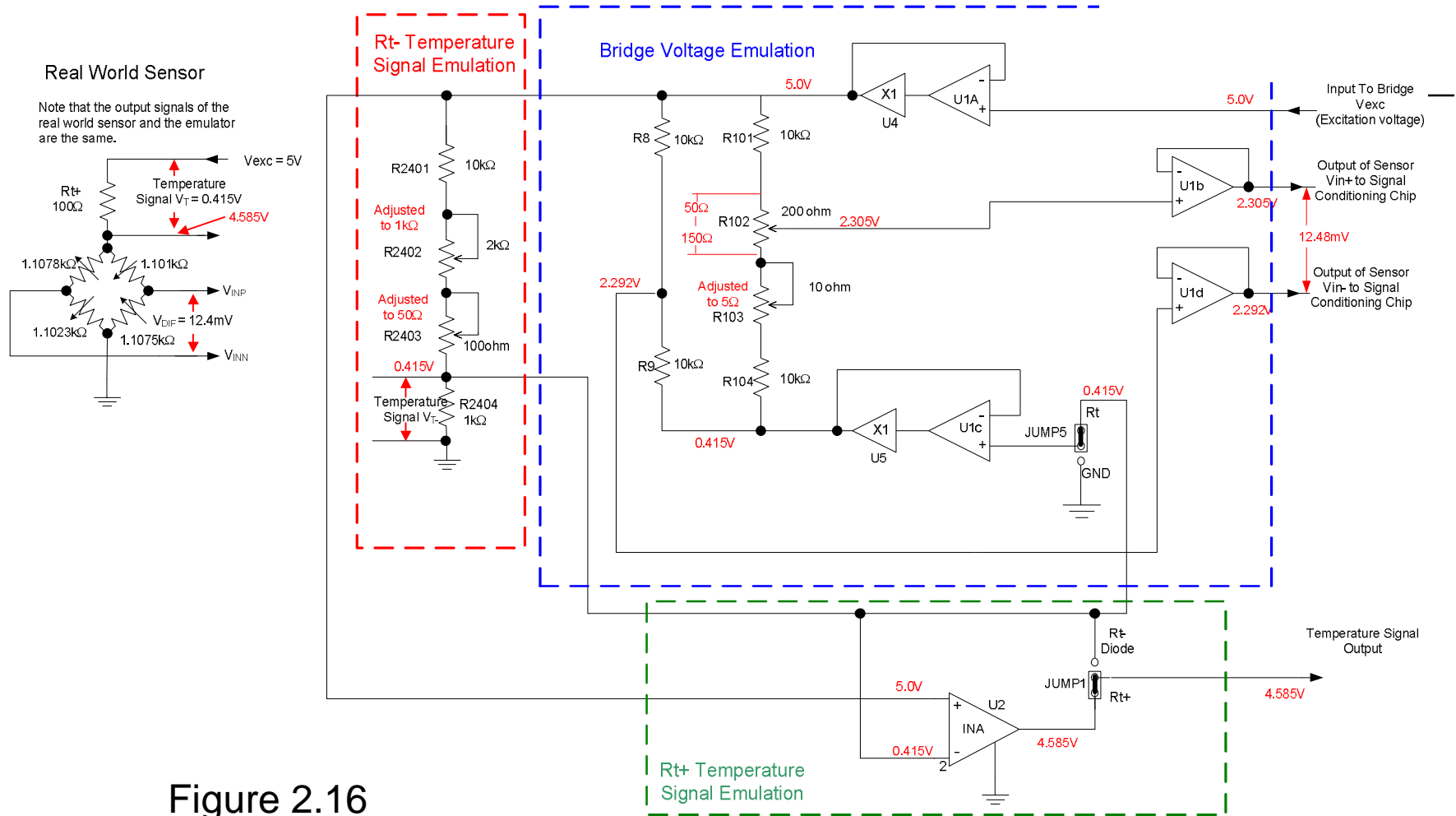


Figure 2.16

This diagram illustrates how the emulator generates the bridge output and temperature signal for the circuit where the sense resistor is connected to the top of the bridge. Note how the output voltage of the temperature emulator (0.415V) is fed back to the bottom of the bridge emulator via the buffer circuit (U5 and U1c) to emulate the bridge excitation change due to R_t in series with the bridge in the real world. Also, note how the instrumentation amplifier (U2) is used to translate the temperature signal voltage so that it is referenced to the excitation voltage (V_{exc}).

Emulation Case 3: Diode Temperature Sensor with External Current Source

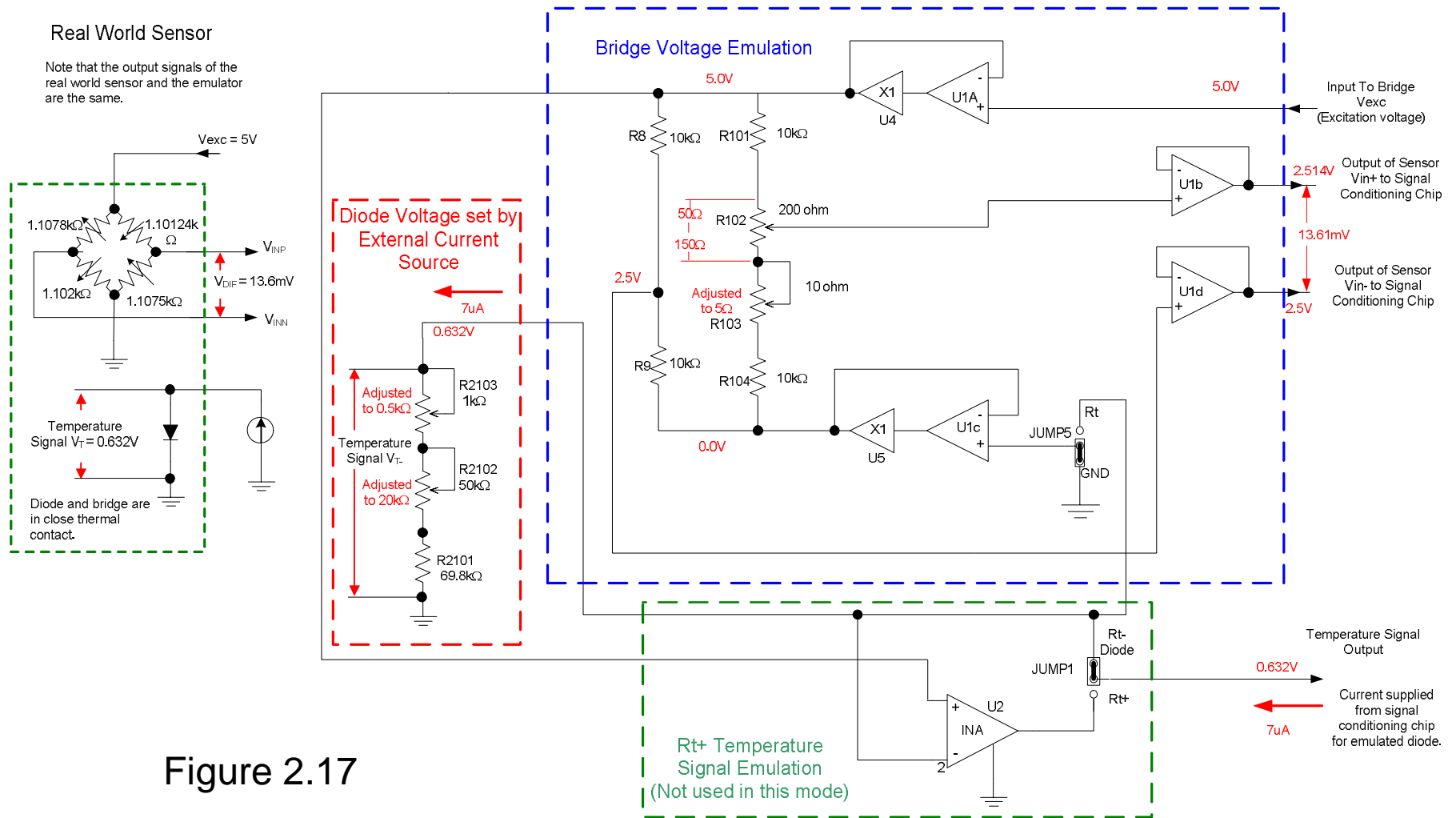
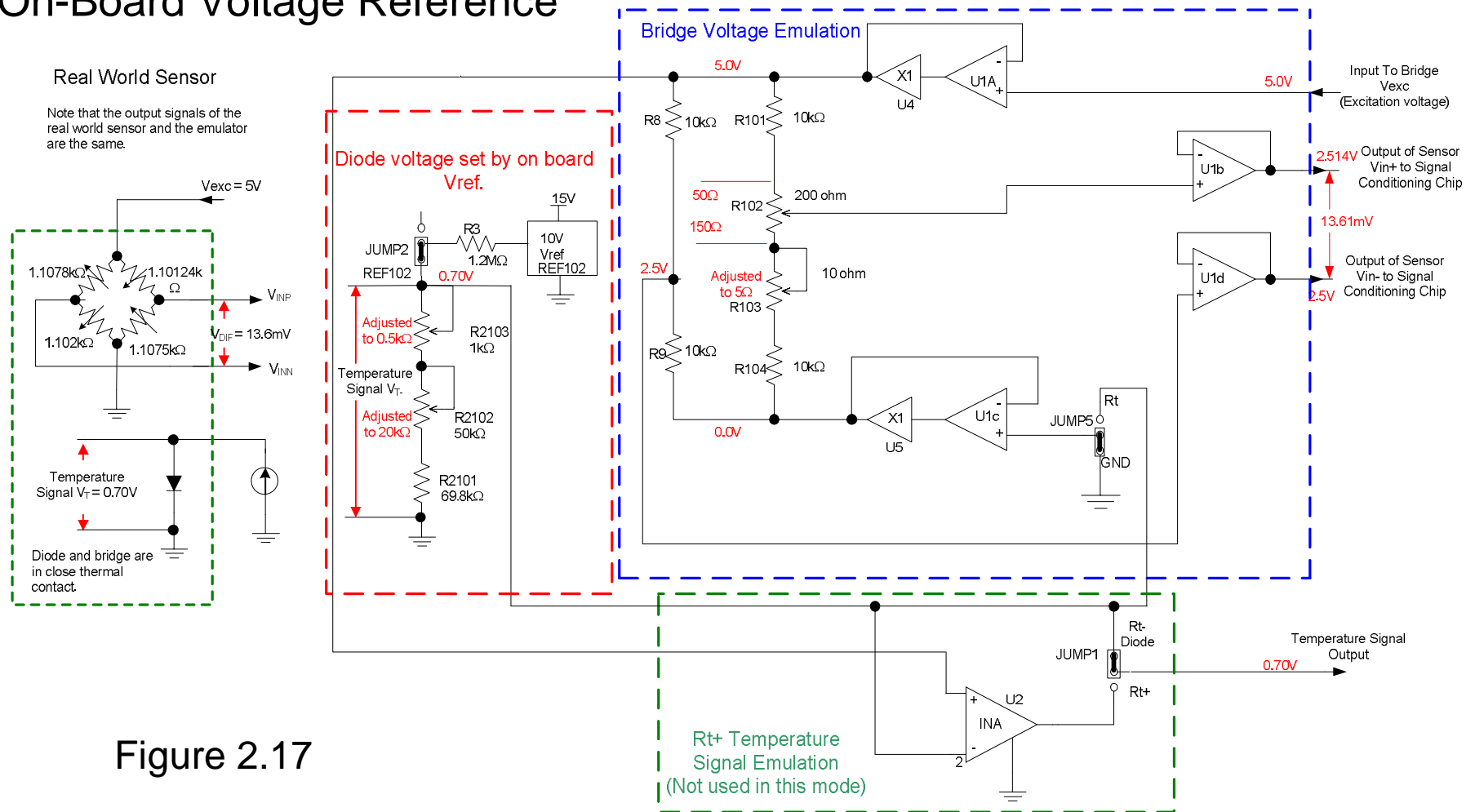


Figure 2.17

This diagram illustrates how the emulator generates the bridge output and temperature signal for the diode temperature measurement. Note that in this case JUMP1 is set so that the bottom of the bridge emulator is at ground potential.

Also note that this configuration requires an external current source to operate (in this example, 7 μA).

Emulation Case 4: Diode Temperature Sensor with On-Board Voltage Reference



This diagram illustrates how the emulator generates the bridge output and temperature signal for the diode temperature measurement. Note that in this case JUMP1 is set so that the bottom of the bridge emulator is at ground potential. Also note that this uses an on-board voltage reference (REF102) to set the diode voltage (JUMP2 selects this option).

3.0 Changing the Programmable Range of the Emulator

Figure 3.1 illustrates how the range of the bridge emulator can be adjusted by putting a resistor in parallel with R101 and R104. This needs to be done for each channel of the emulator (11 channels x 2 resistors = 22 resistors total). The examples illustrates how the range is increased using a 1kΩ parallel resistor. In general, it is best to select a parallel resistance value that scales your range so that the full scale output of the emulator is slightly larger than what is required for your emulator. Scaling the emulator in this manner will provide the optimal resolution and lowest noise. Note that holes are provided for a parallel through-hole resistor to simplify the process of adjusting the emulator scale.

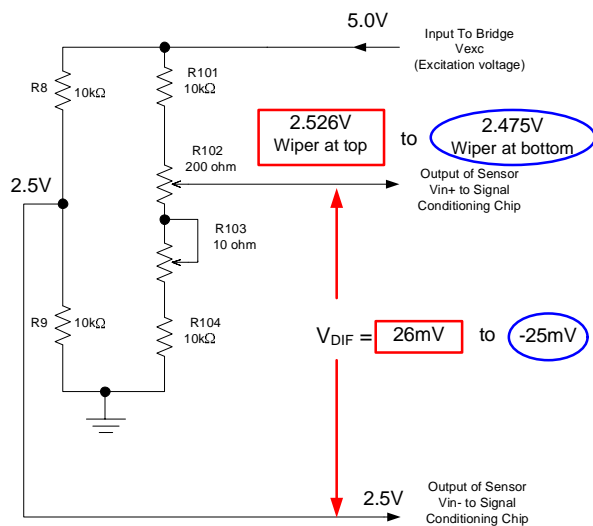


Figure 3.0: Default Range

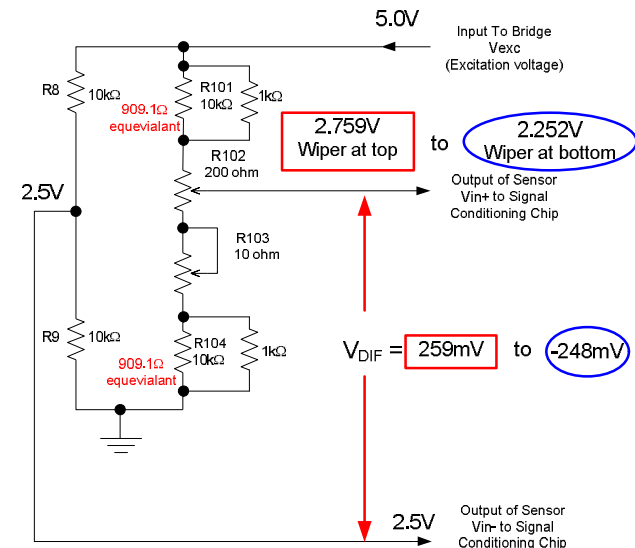
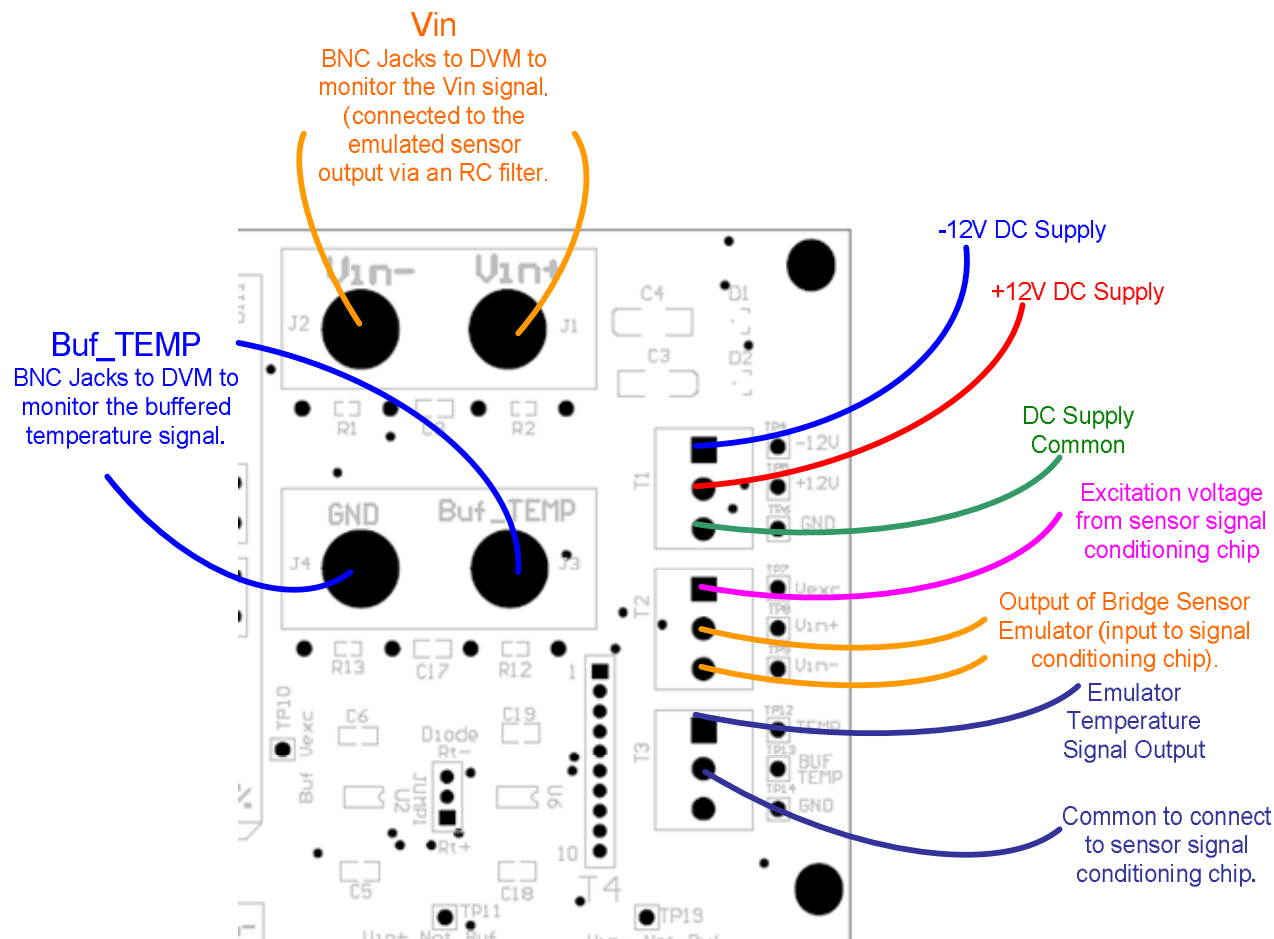


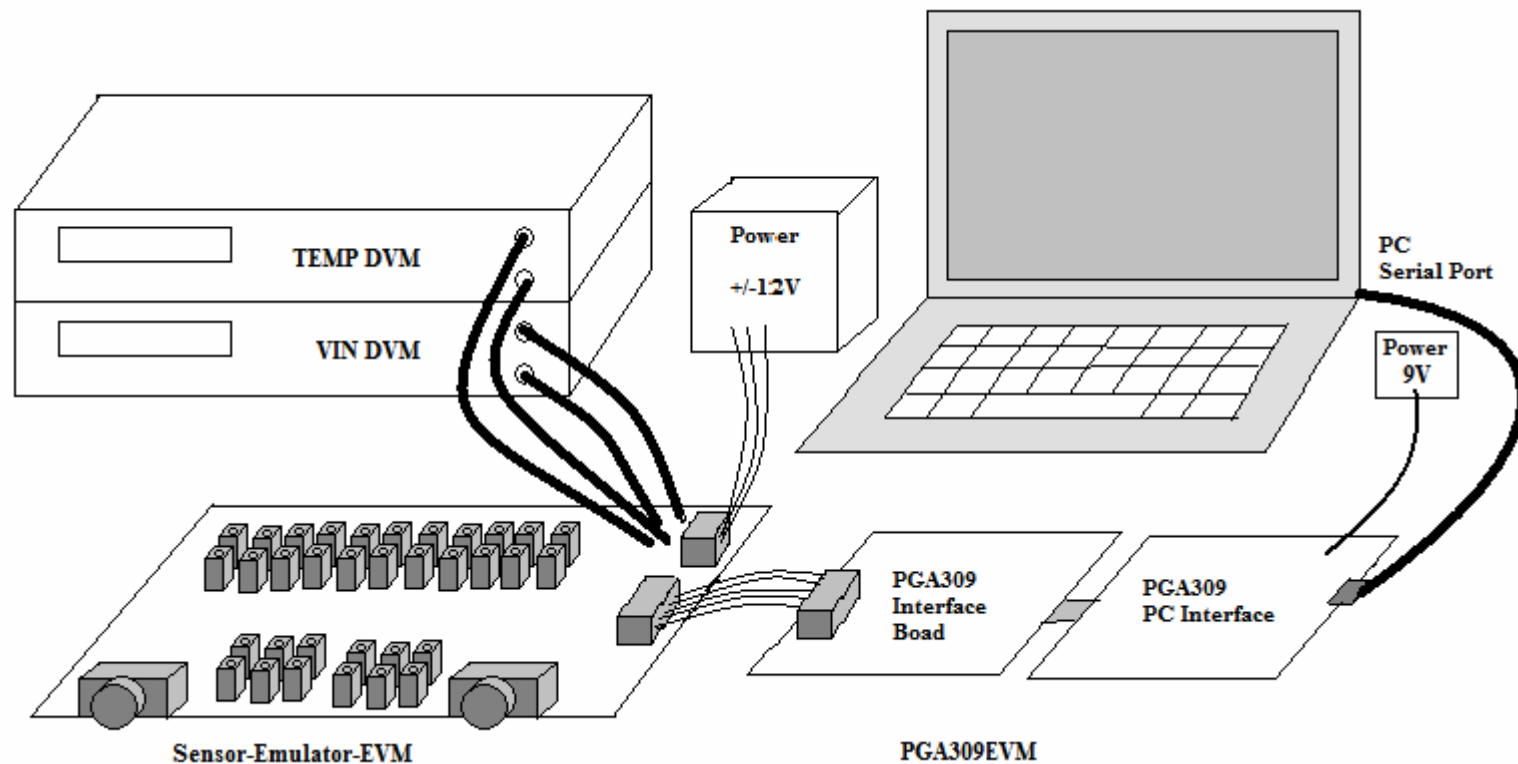
Figure 3.1: Adjusted Range

Positive full scale of the emulator	Negative full scale of the emulator	Positive full scale of the emulator	Negative full scale of the emulator
$V_{exc} := 5 \quad R_{104} := 10 \cdot 10^3 \quad R_{102} := 200 \quad R_{101} := 10 \cdot 10^3$	$V_{exc} := 5 \quad R_{104} := 10 \cdot 10^3 \quad R_{102} := 200 \quad R_{101} := 10 \cdot 10^3$	$V_{exc} := 5 \quad R_{104} := 909.1 \quad R_{102} := 200 \quad R_{101} := 909.1$	$V_{exc} := 5 \quad R_{104} := 909.1 \quad R_{102} := 200 \quad R_{101} := 909.1$
$R_{102a} := 200$ Wiper position at top of POT	$R_{102a} := 0$ Wiper position at bottom of POT	$R_{102a} := 200$ Wiper position at top of POT	$R_{102a} := 0$ Wiper position at bottom of POT
$R_{103} := 10$ Pot set to maximum Resistance	$R_{103} := 0$ Pot set to Minimum Resistance	$R_{103} := 10$ Pot set to maximum Resistance	$R_{103} := 0$ Pot set to Minimum Resistance
$V_{dif} := \frac{V_{exc}(R_{104} + R_{103} + R_{102a})}{R_{101} + R_{104} + R_{103} + R_{102}} - \frac{V_{exc}}{2}$	$V_{dif} := \frac{V_{exc}(R_{104} + R_{103} + R_{102a})}{R_{101} + R_{104} + R_{103} + R_{102}} - \frac{V_{exc}}{2}$	$V_{dif} := \frac{V_{exc}(R_{104} + R_{103} + R_{102a})}{R_{101} + R_{104} + R_{103} + R_{102}} - \frac{V_{exc}}{2}$	$V_{dif} := \frac{V_{exc}(R_{104} + R_{103} + R_{102a})}{R_{101} + R_{104} + R_{103} + R_{102}} - \frac{V_{exc}}{2}$
$V_{dif} = 0.026$ Positive full scale output of emulator	$V_{dif} = -0.025$ Positive full scale output of emulator	$V_{dif} = 0.259$ Positive full scale output of emulator	$V_{dif} = -0.248$ Negative full scale output of emulator

4.0 Required Electrical Connections to Sensor-Emulator-EVM



Example of a Typical Engineering Bench Setup Using the Sensor Emulator

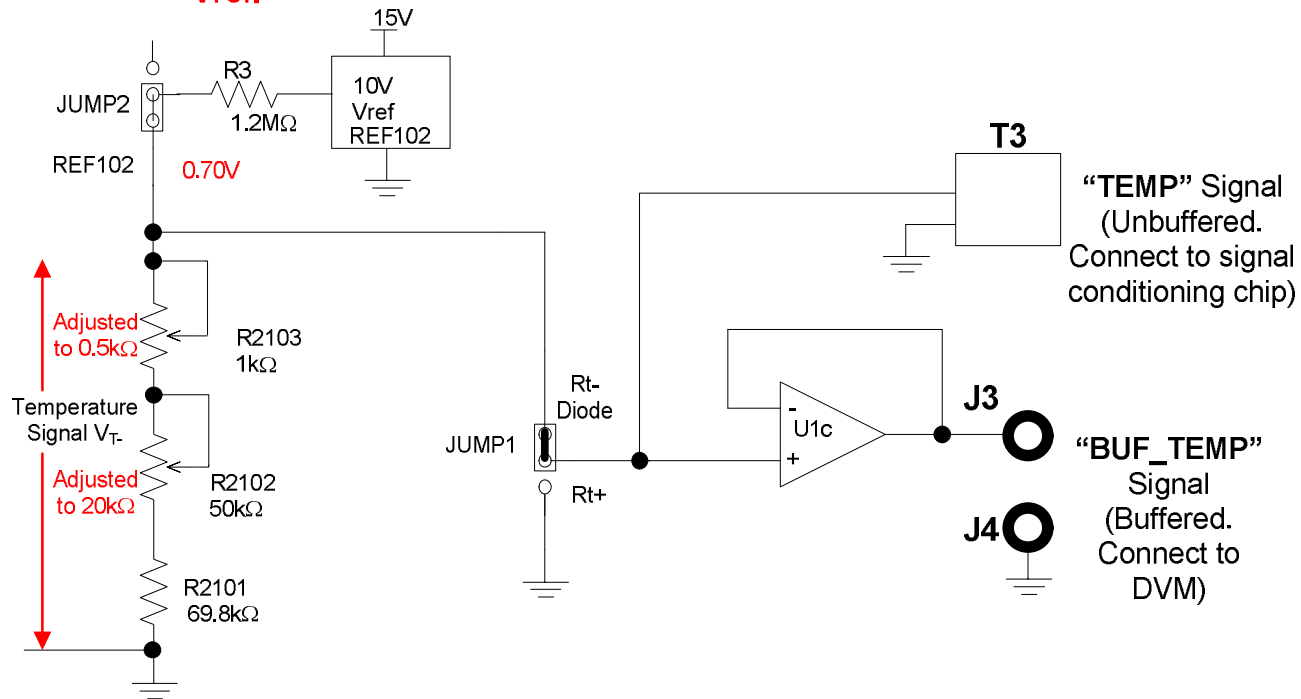


This diagram illustrates an example of how the sensor emulator would be used in an engineering bench setup. The PGA309 is a programmable sensor signal conditioning chip. The Sensor-Emulator-EVM can be used in conjunction with the PGA309EVM to facilitate the development of a PGA309 application.

Note on the Buf_Temp Banana Jacks

The Buf_Temp banana jacks are used to monitor the temperature signal with a DVM. It is important to monitor temperature at this point because the non-buffered temperature signal is a high impedance output, and the DVM can load this output.

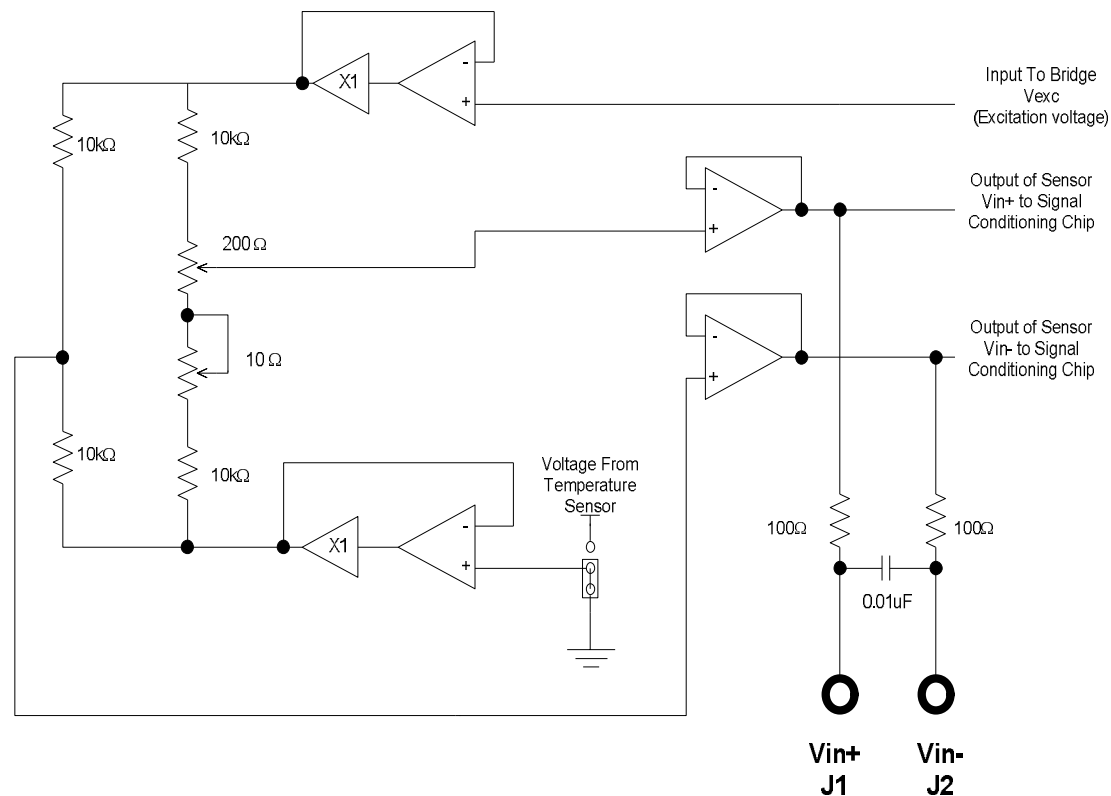
Diode voltage set by on board
Vref.



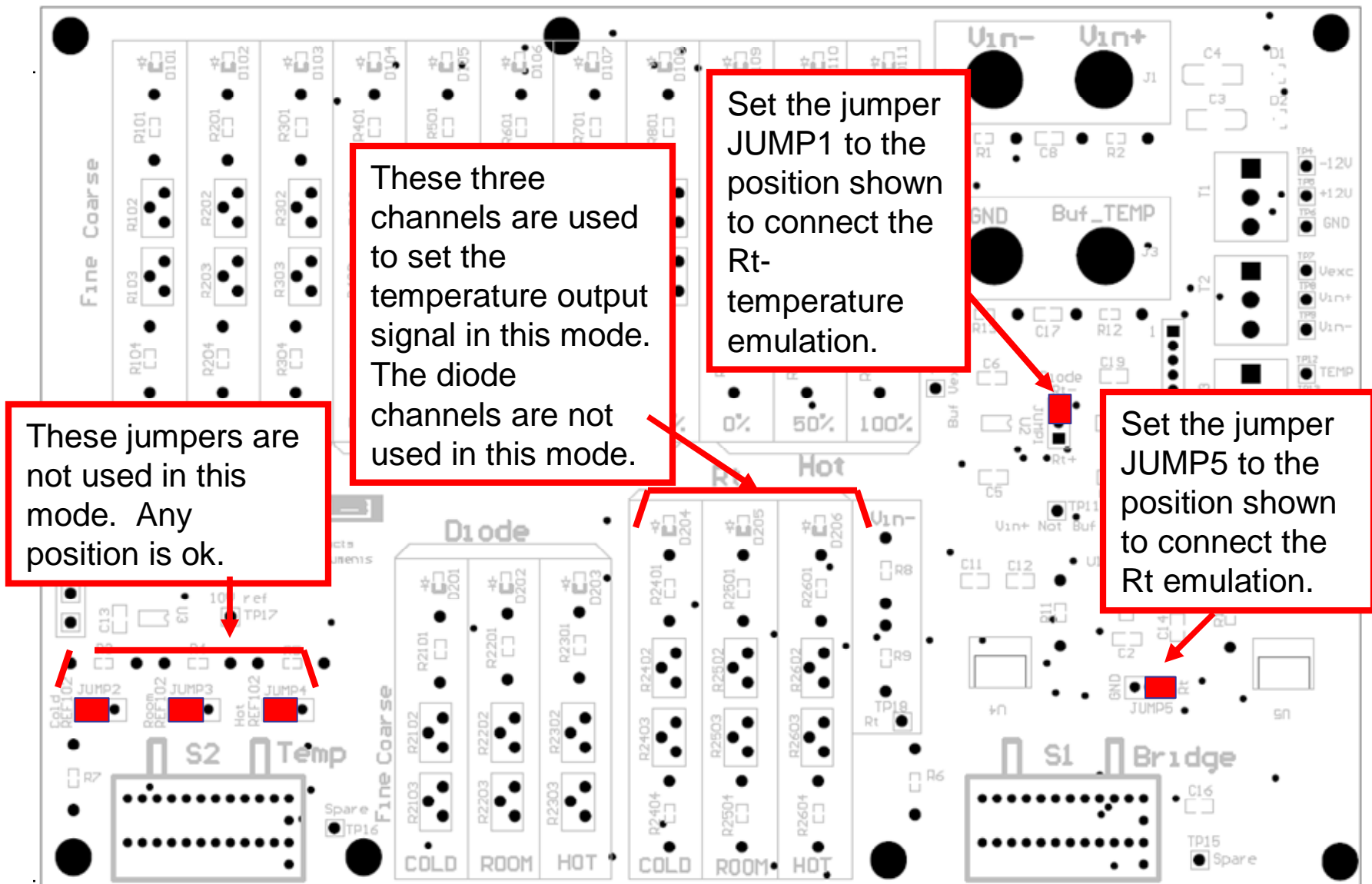
Note on the Vin- and Vin+ Banana Jacks



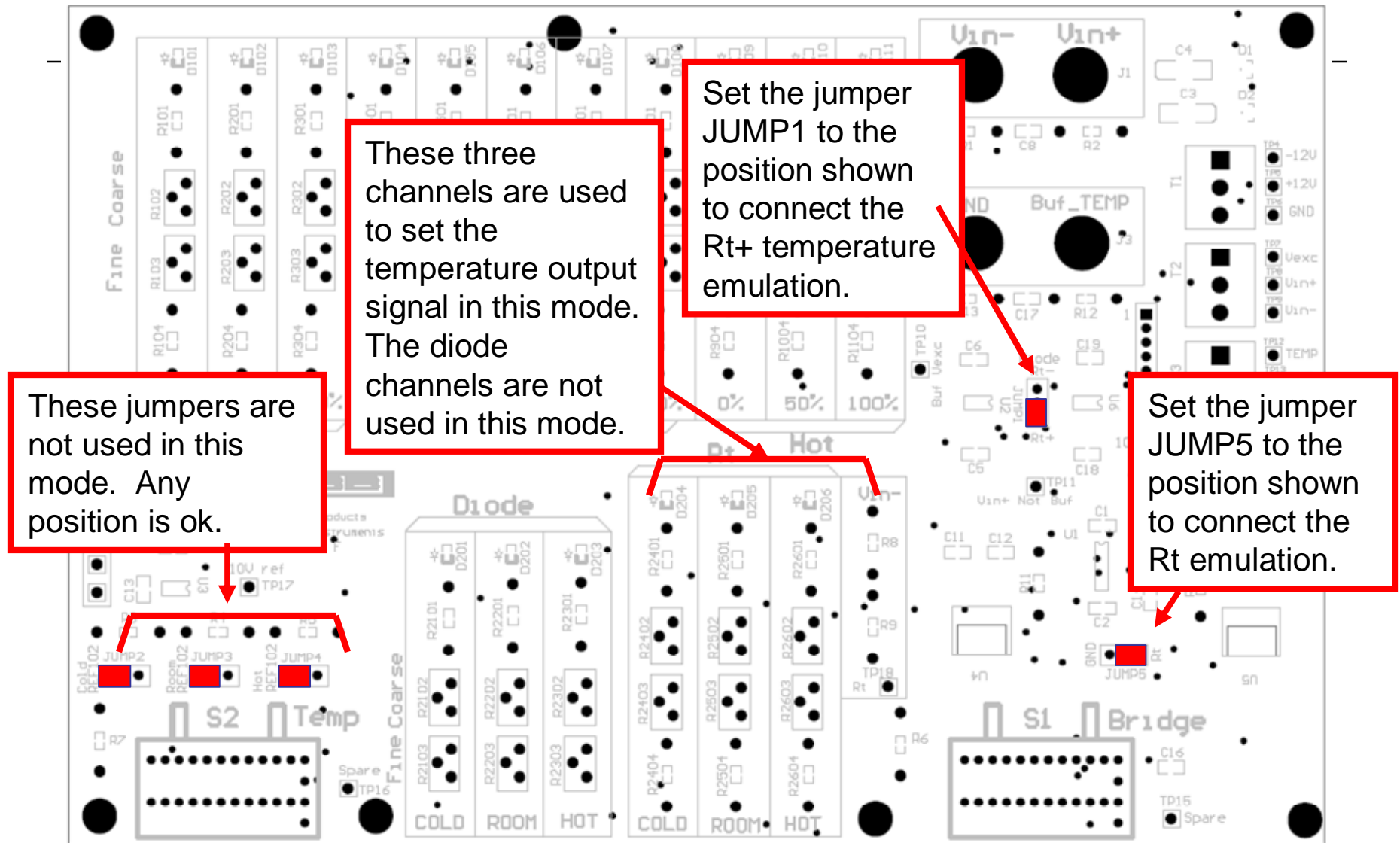
The Vin- and Vin+ banana jacks are used to monitor the sensor output signal with a DVM. The Vin banana jacks are connected to the Vin signal through a standard RC filter. This filter helps to reduce the coupling of noise (from ground loops) into the sensor output circuit, and into high gain sensor signal conditioner inputs.



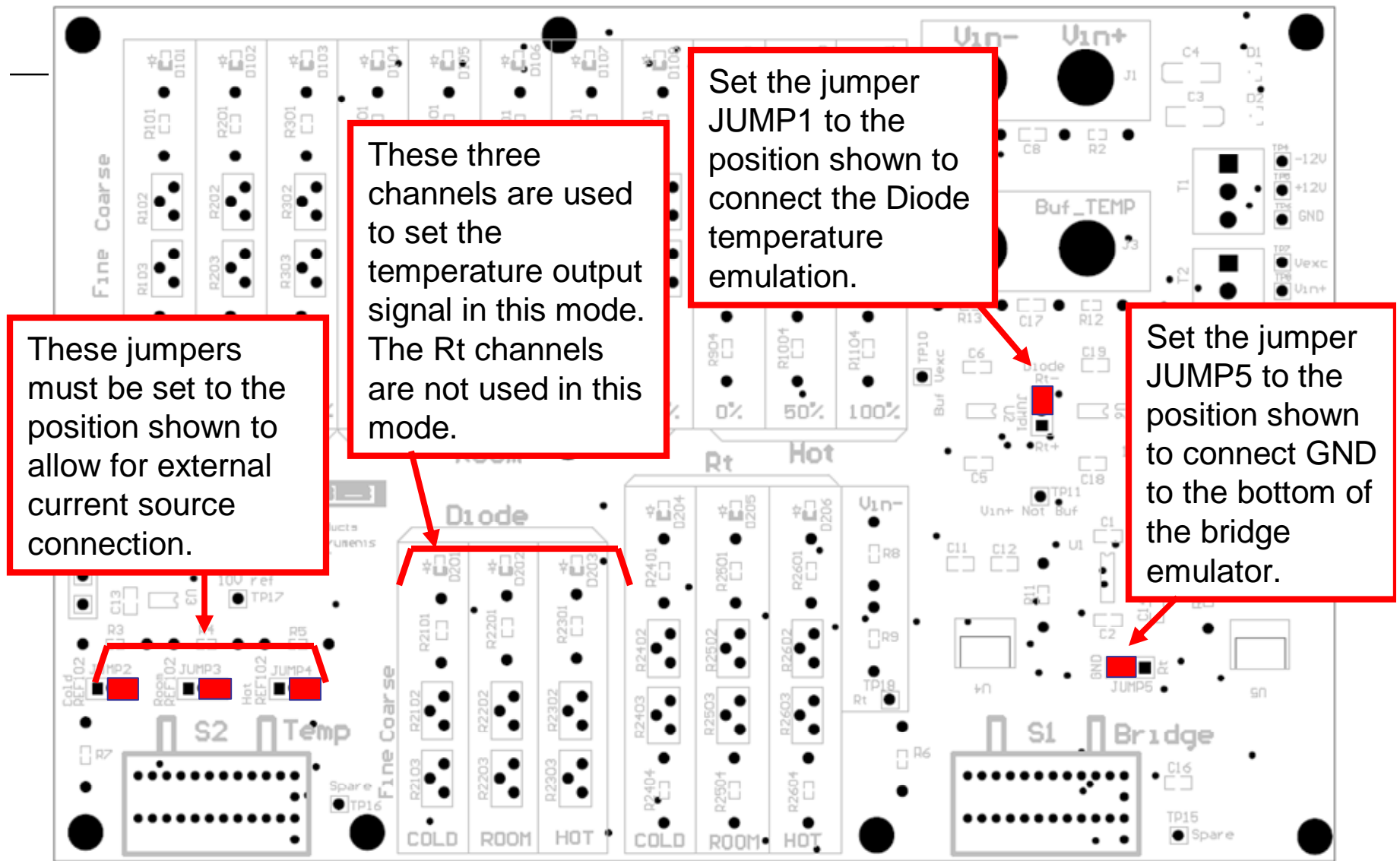
Emulation Case 1: Resistance in the Bottom of the Bridge Rt-



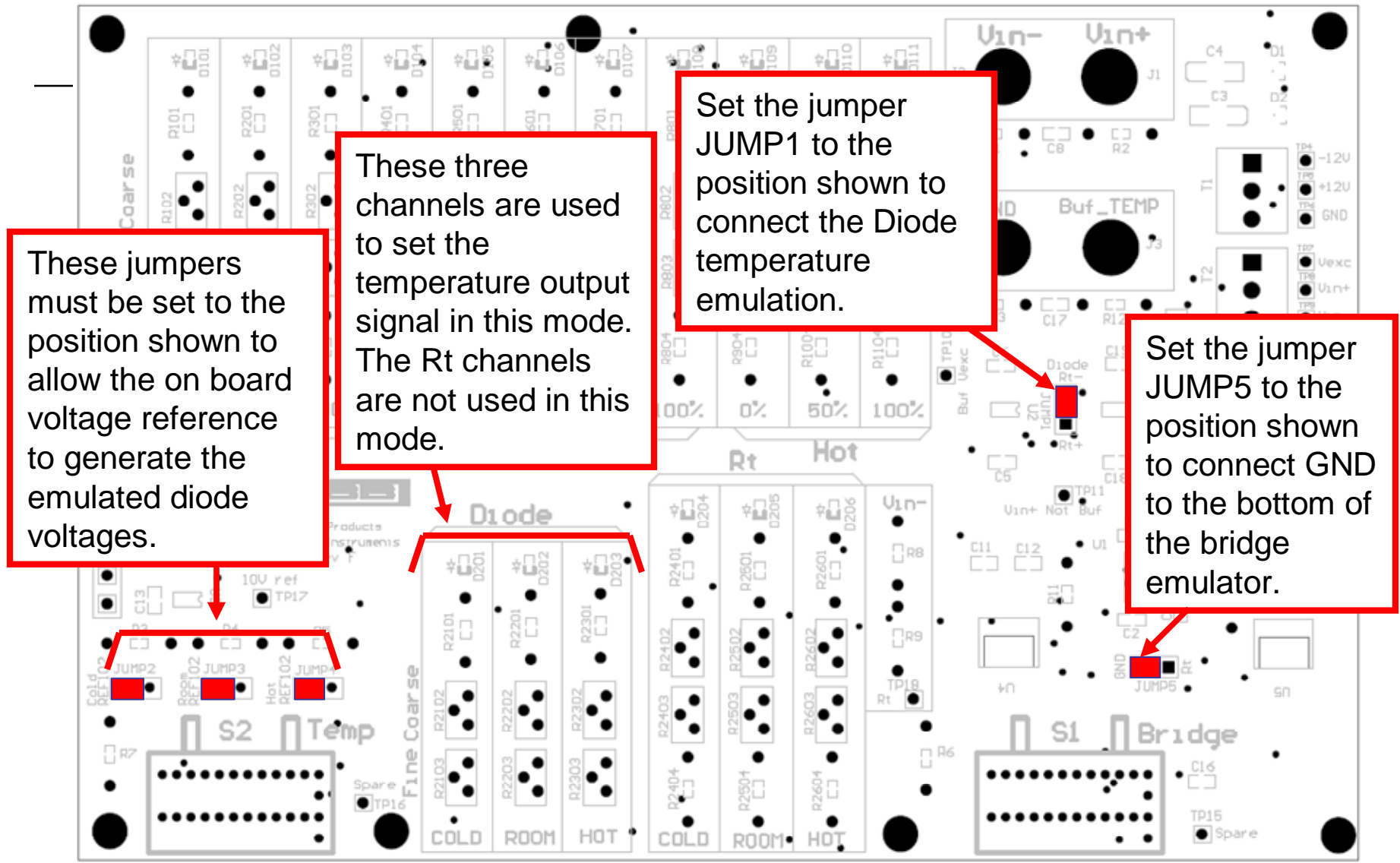
Emulation Case 2: Resistance in the Top of the Bridge R_{t+}



Emulation Case 3: Diode Temperature Sensor with External Current Source



Emulation Case 4: Diode Temperature Sensor with Onboard Voltage Reference

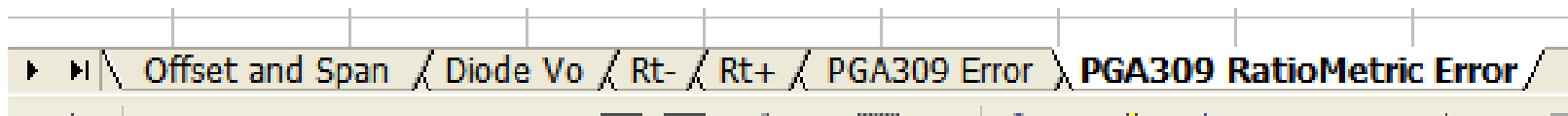


5.0 Configuring the Sensor-Emulator-EVM to Emulate a Real World Sensor



If the raw output of the sensor is not known, the *generate_emu_values.xls* spreadsheet (SBOC065, available for download at www.ti.com) can be used to translate the specifications of your bridge sensor and temperature sensor to system voltage levels. The spreadsheet contains five sections:

1. Offset and Span: Generates the bridge output voltages.
2. Diode Vo: Generates the temperature sensor output voltages for the diode method.
3. Rt-: Generates the temperature sensor voltages for the Rt- method.
4. Rt+: Generates the temperature sensor voltages for the Rt+ method.
5. PGA309_Error: Allows you to read the PGA309 via the ADS1100.



Offset and Span: Generates the bridge output voltages from sensor specifications

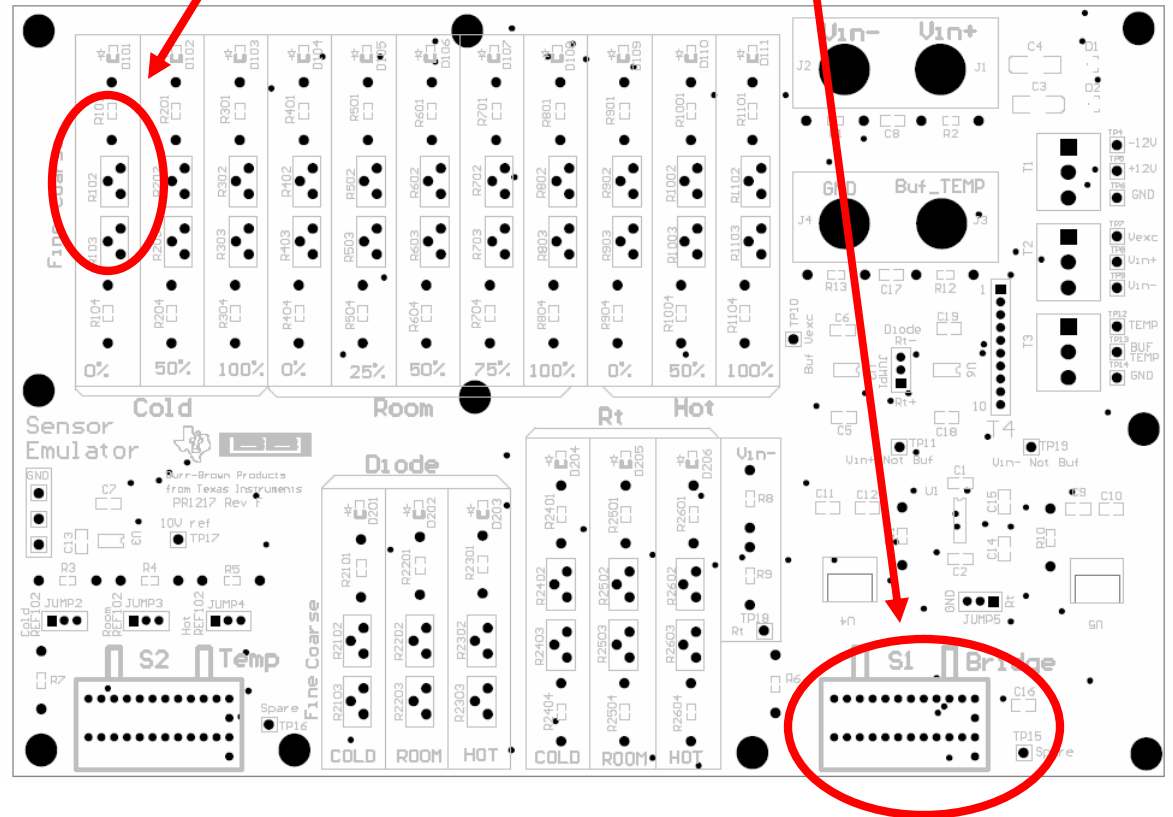
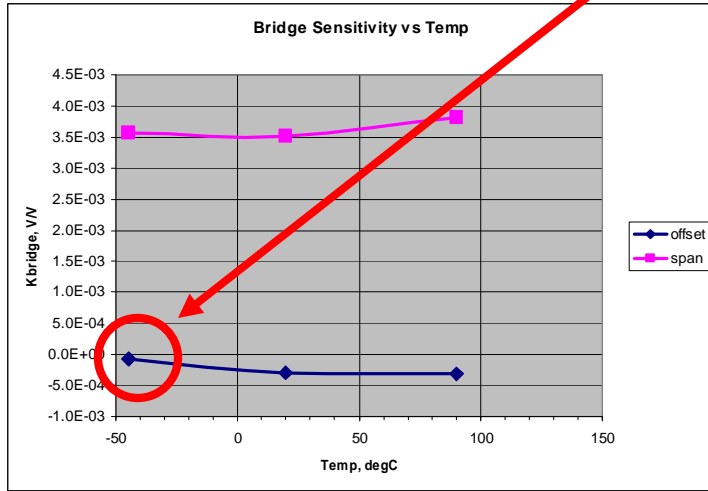


All the areas shown in light blue are either sensor specifications or system requirements. Enter these values and the spreadsheet will generate output voltage settings for each channel on the sensor emulator. The next several pages will show how the voltages listed in the spreadsheet are used to program the sensor emulator.

	A	B	C	D	E	F	G	H	I	J
1	Temp range:	degC								
2	Tmin=	-45.00		Precalibration Sensor Simulator Settings (LinDac = 0)						
3	Tmax=	90.00				Cold				
4	Troom=	22.50		Pressure Input		0%	50%	100%		
5				Sensor Output (mV)		-0.215	5.379	11.939		
6	Vexc (V)	3.400E+00								
7						Room				
8	Span (V/V)	3.509E-03		Pressure Input		0%	25%	50%	75%	100%
9	Offset (V/V)	-2.945E-04		Sensor Output (mV)		-1.001	1.626	4.490	7.591	10.929
10										
11						Hot				
12				Pressure Input		0%	50%	100%		
13	NonlinSpanDrift (% of Span)	-5.031E-02		Sensor Output (mV)		-1.053	4.887	11.855		
14	NonlinOffsetDrift (% of Span)	-3.077E-02								
15	PressureNonlin (% of Span)	-3.976E-02								
16										
17	GainTC1 (% of Span/C)	4.682E-04								
18	OffsetTC1 (% of Span/C)	-5.205E-04								
19	GainTCNonlin(TC2) (% of Span/C ²)	-1.104E-05								
20	OffsetTCNonlin(TC2) (% of Span/C ²)	-6.753E-06								
21										
22	Note: % of Span is represented as a decimal number									
23	i.e. OffsetTC1 (% of Span) = 0.1 is 10%									
24										
25										
26										

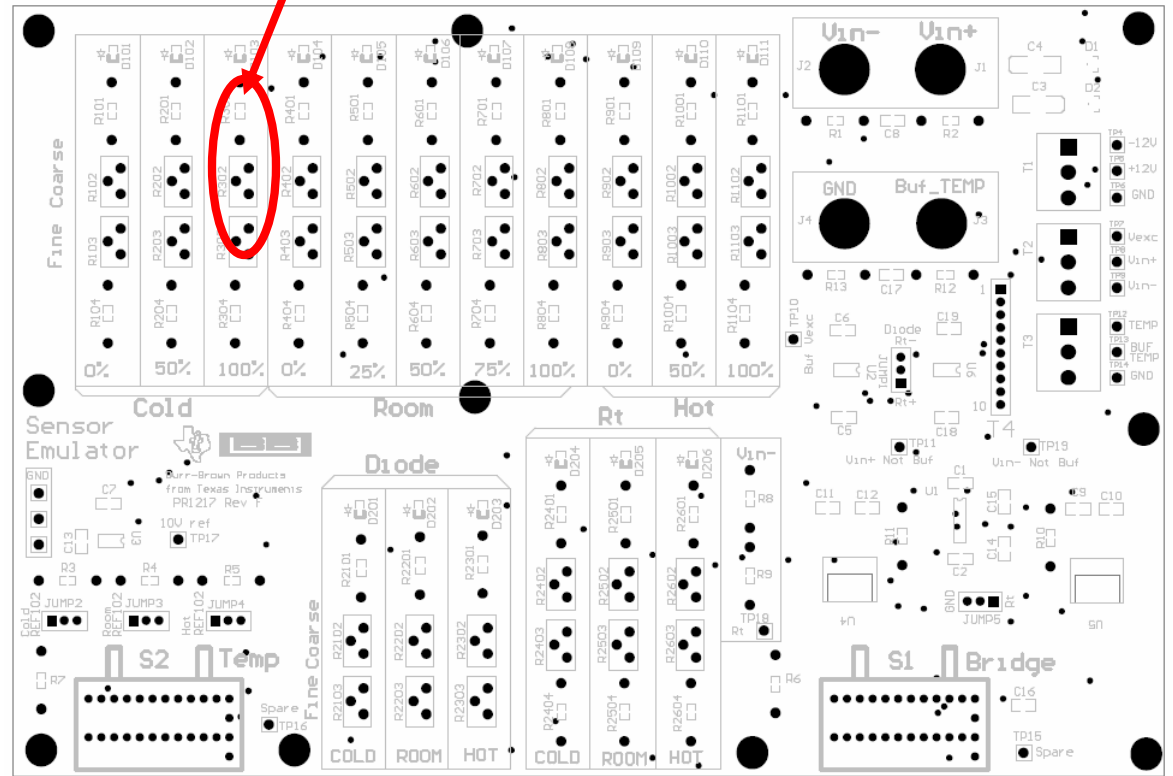
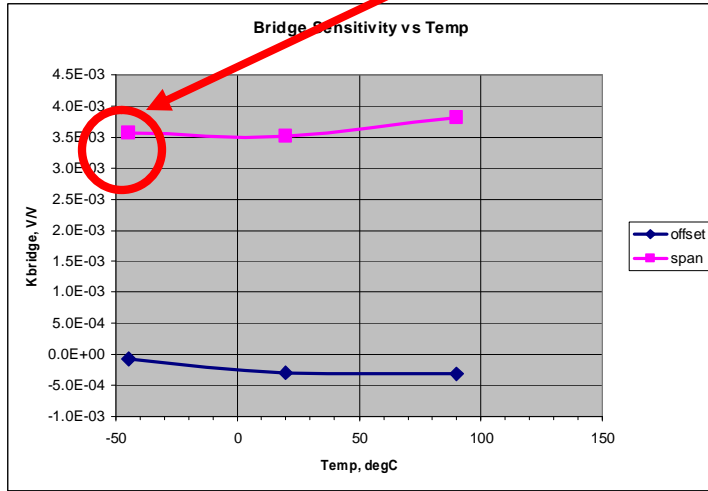
Precalibration Sensor Simulator Settings (LinDac = 0)					
Cold					
Pressure Input	0%	50%	100%		
Sensor Output (mV)	-0.257	5.322	11.887		
Room					
Pressure Input	0%	25%	50%	75%	100%
Sensor Output (mV)	-1.001	1.626	4.490	7.591	10.929
Hot					
Pressure Input	0%	50%	100%		
Sensor Output (mV)	-1.041	4.927	11.926		

The sensor output at cold temperature and 0% of applied stimulus is emulated by this channel. The rotary switch S1 is used to select this channel. When the channel is selected, LED D101 will light to indicate that the correct channel is selected.



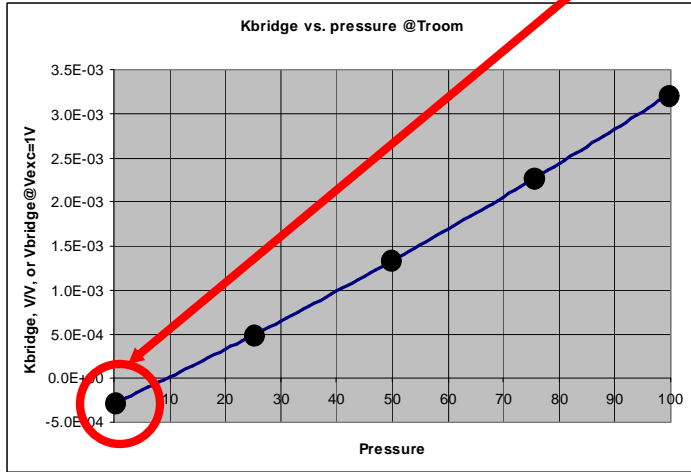
Precalibration Sensor Simulator Settings (LinDac = 0)					
Cold					
Pressure Input	0%	50%	100%		
Sensor Output (mV)	-0.257	5.323	11.867		
Room					
Pressure Input	0%	25%	50%	75%	100%
Sensor Output (mV)	-1.001	1.626	4.490	7.591	10.929
Hot					
Pressure Input	0%	50%	100%		
Sensor Output (mV)	-1.041	4.927	11.926		

The sensor output at cold temperature and 100% of applied stimulus is emulated by this channel. The rotary switch S1 is used to select this channel. When the channel is selected, LED D103 will light to indicate that the correct channel is selected.

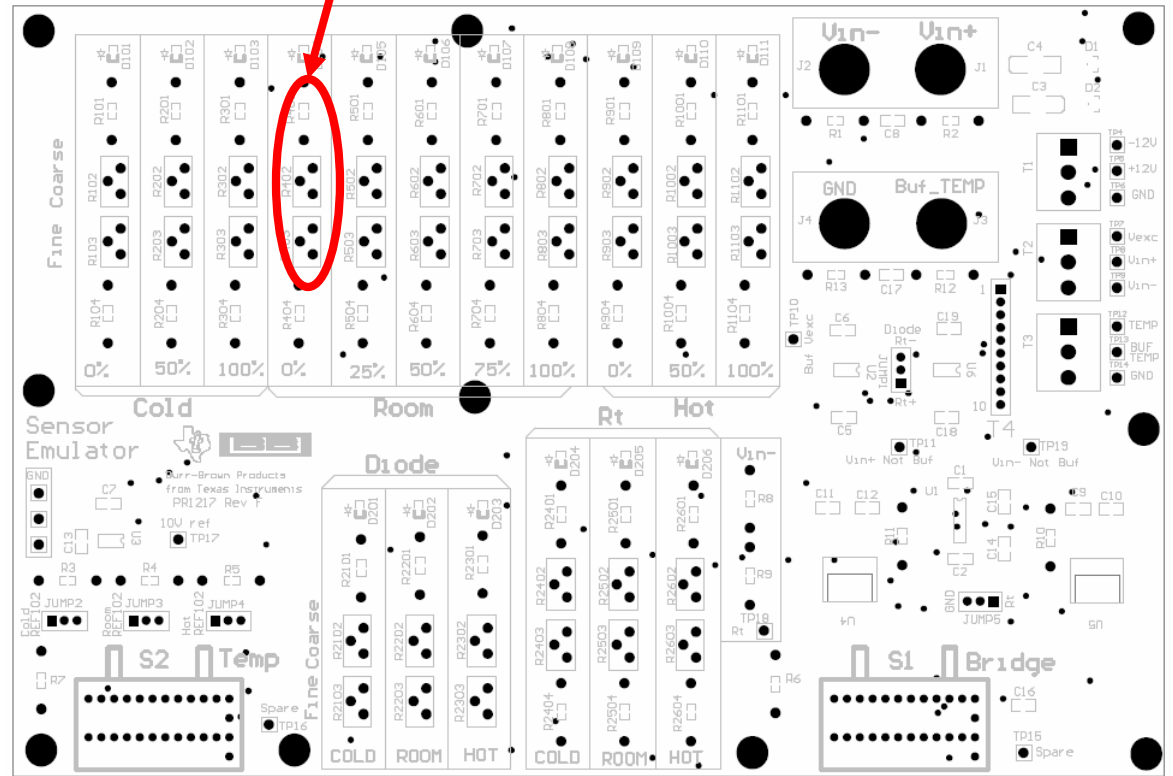


Precalibration Sensor Simulator Settings (LinDac = 0)				
Cold				
Pressure Input	0%	50%	100%	
Sensor Output (mV)	-0.257	5.323	11.867	
Room				
Pressure Input	0%	25%	50%	75%
Sensor Output (mV)	-1.001	1.626	4.490	7.591
Hot				
Pressure Input	0%	50%	100%	
Sensor Output (mV)	-1.041	4.927	11.926	

The sensor output at room temperature and 0% of applied stimulus is emulated by this channel. The rotary switch S1 is used to select this channel. When the channel is selected, LED D104 will light to indicate that the correct channel is selected.

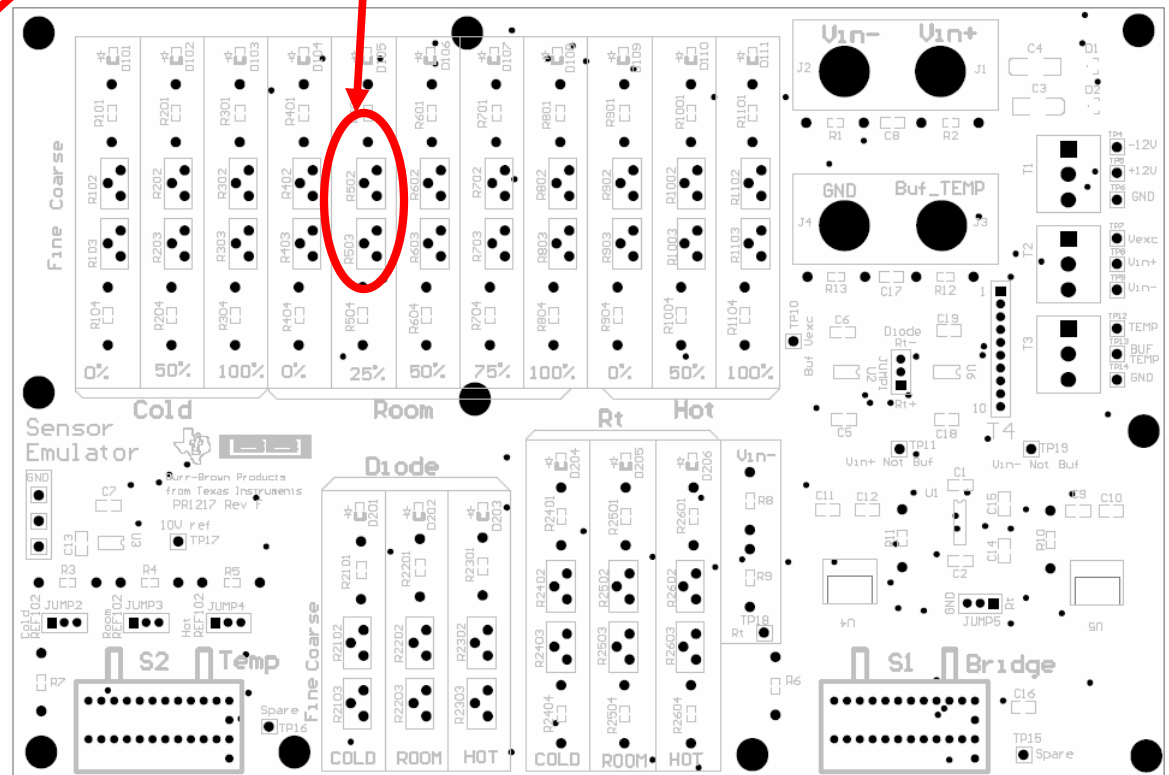
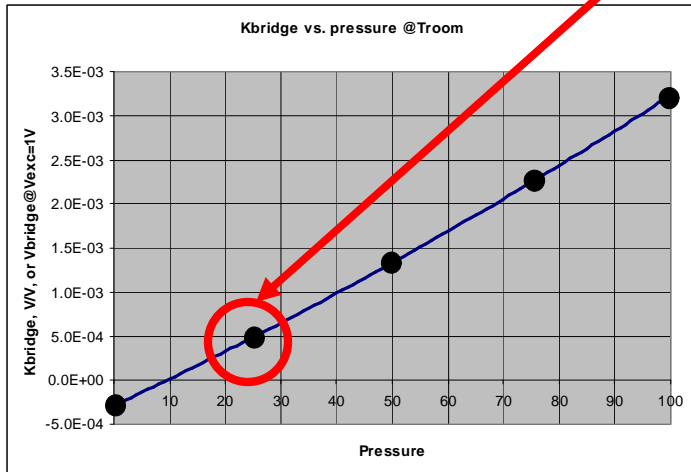


Emulate the nonlinearity of the curve at room temperature for four points.



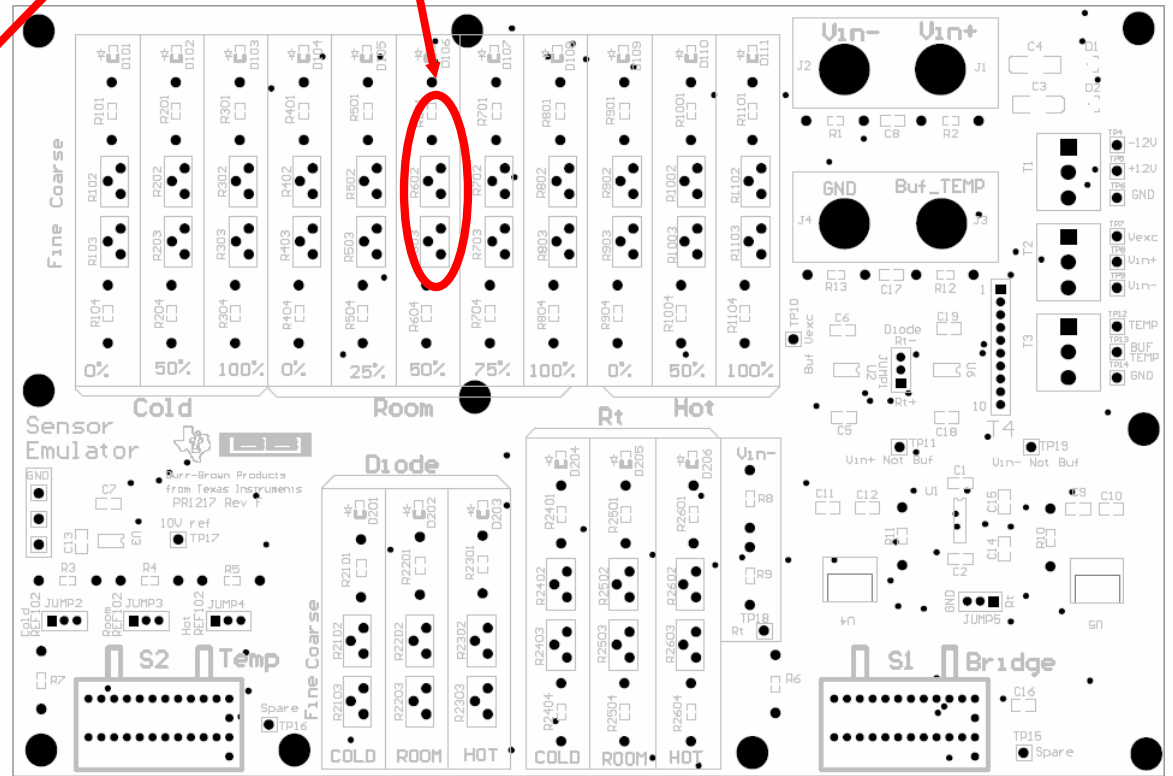
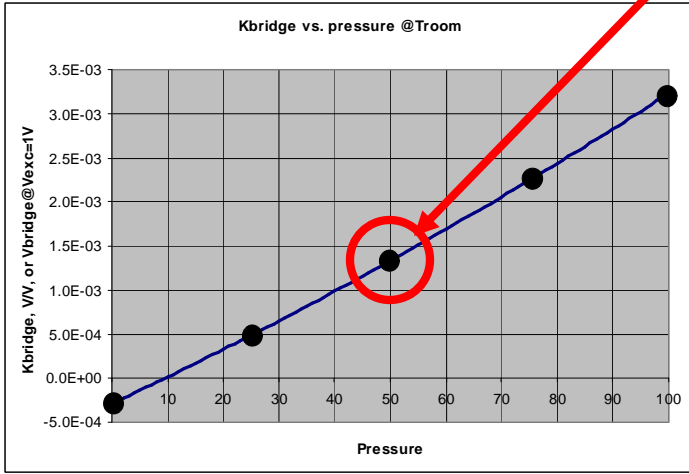
Precalibration Sensor Simulator Settings (LinDac = 0)					
	Cold				
Pressure Input	0%	50%	100%		
Sensor Output (mV)	-0.257	5.323	11.867		
	Room				
Pressure Input	0%	25%	50%	75%	100%
Sensor Output (mV)	-1.001	1.626	4.490	7.591	10.929
	Hot				
Pressure Input	0%	50%	100%		
Sensor Output (mV)	-1.041	4.927	11.926		

The sensor output at room temperature and 25% of applied stimulus is emulated by this channel. The rotary switch S1 is used to select this channel. When the channel is selected, LED D105 will light to indicate that the correct channel is selected.



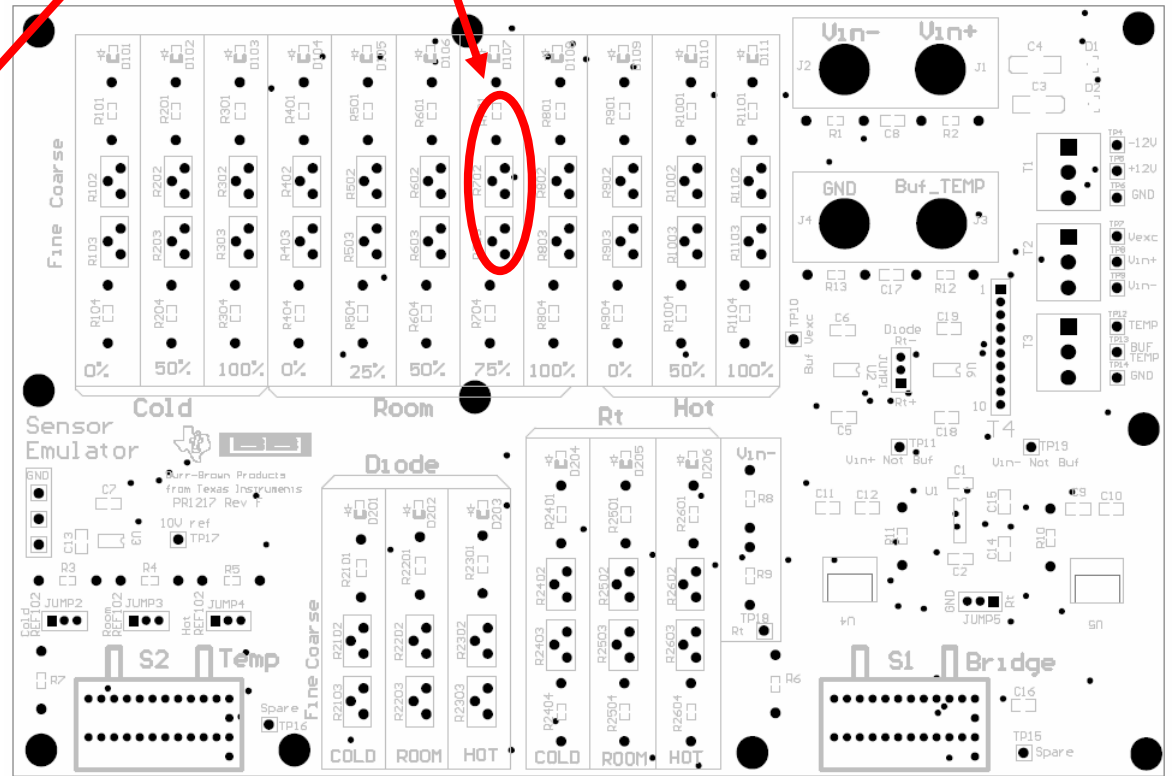
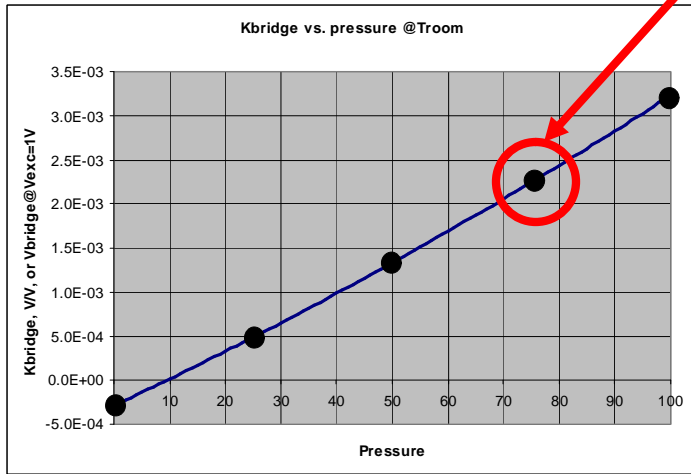
Precalibration Sensor Simulator Settings (LinDac = 0)					
Cold					
Pressure Input	0%	50%	100%		
Sensor Output (mV)	-0.257	5.323	11.867		
Room					
Pressure Input	0%	25%	50%	75%	100%
Sensor Output (mV)	-1.001	1.626	4.490	7.591	10.929
Hot					
Pressure Input	0%	50%	100%		
Sensor Output (mV)	-1.041	4.927	11.926		

The sensor output at room temperature and 50% of applied stimulus is emulated by this channel. The rotary switch S1 is used to select this channel. When the channel is selected, LED D106 will light to indicate that the correct channel is selected.



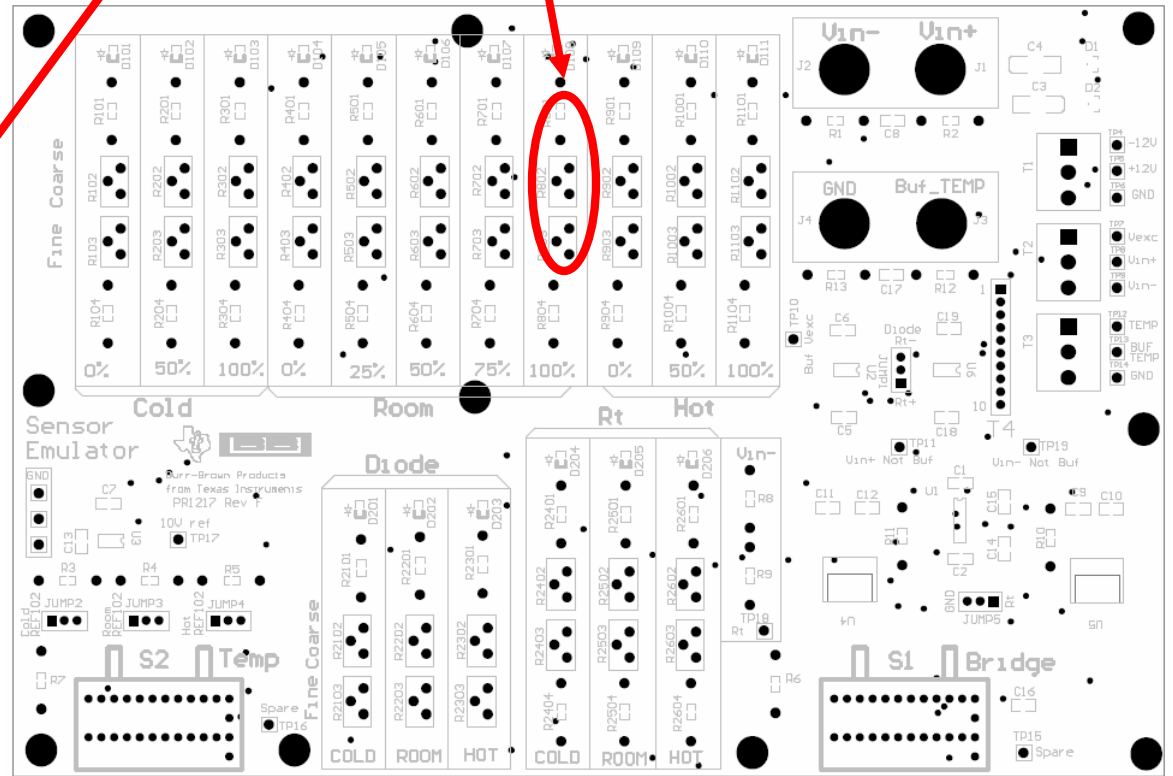
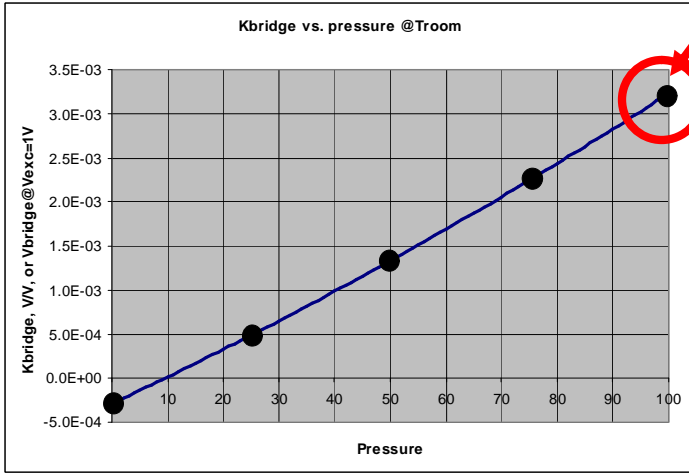
Precalibration Sensor Simulator Settings (LinDac = 0)					
Cold					
Pressure Input	0%	50%	100%		
Sensor Output (mV)	-0.257	5.323	11.867		
Room					
Pressure Input	0%	25%	50%	75%	100%
Sensor Output (mV)	-1.001	1.626	4.490	7.591	10.929
Hot					
Pressure Input	0%	50%	100%		
Sensor Output (mV)	-1.041	4.927	11.926		

The sensor output at room temperature and 75% of applied stimulus is emulated by this channel. The rotary switch S1 is used to select this channel. When the channel is selected, LED D107 will light to indicate that the correct channel is selected.



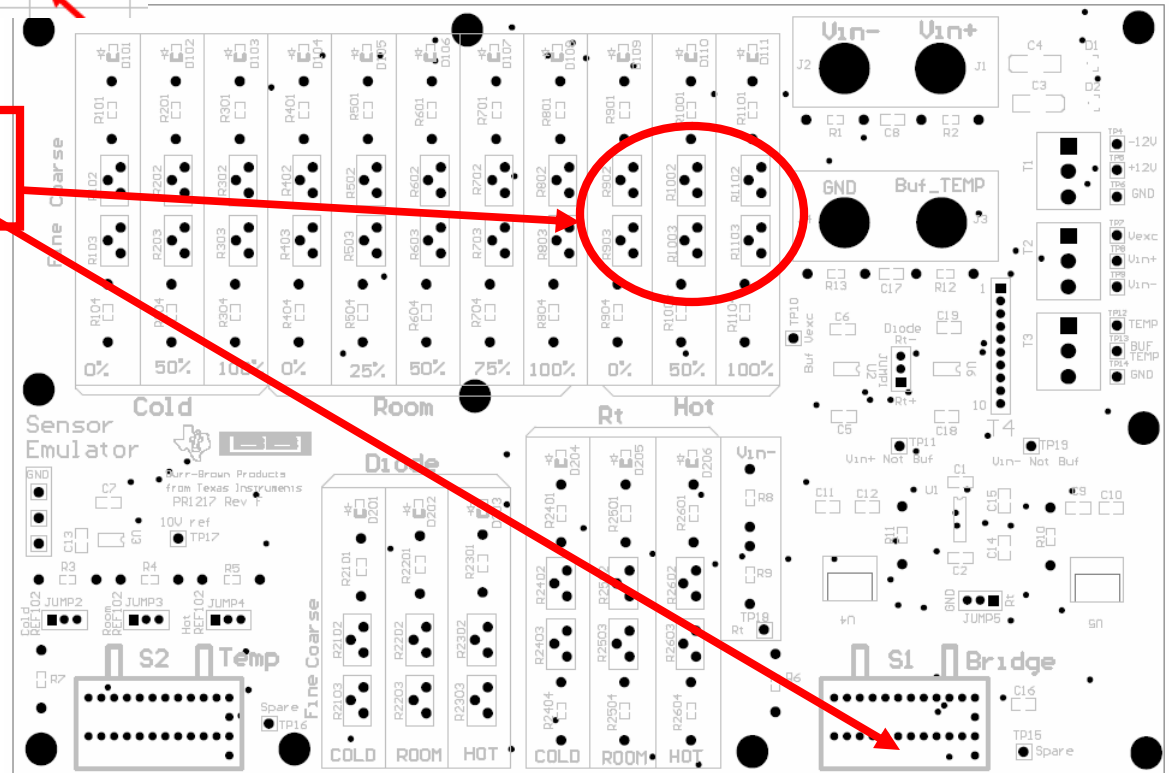
Precalibration Sensor Simulator Settings (LinDac = 0)				
Cold				
Pressure Input	0%	50%	100%	
Sensor Output (mV)	-0.257	5.323	11.867	
Room				
Pressure Input	0%	25%	50%	75%
Sensor Output (mV)	-1.001	1.626	4.490	7.591
Hot				
Pressure Input	0%	50%	100%	
Sensor Output (mV)	-1.041	4.927	11.926	

The sensor output at room temperature and 100% of applied stimulus is emulated by this channel. The rotary switch S1 is used to select this channel. When the channel is selected, LED D108 will light to indicate that the correct channel is selected.



Precalibration Sensor Simulator Settings (LinDac = 0)					
	Cold				
Pressure Input	0%	50%	100%		
Sensor Output (mV)	-0.257	5.323	11.867		
	Room				
Pressure Input	0%	25%	50%	75%	100%
Sensor Output (mV)	-1.001	1.626	4.490	7.591	10.929
	Hot				
Pressure Input	0%	50%	100%		
Sensor Output (mV)	-1.041	4.927	11.926		

The other channels are set in a similar manner and selected using S1.



Diode Vo: Generate Diode Voltages based on Operating Temperature Range

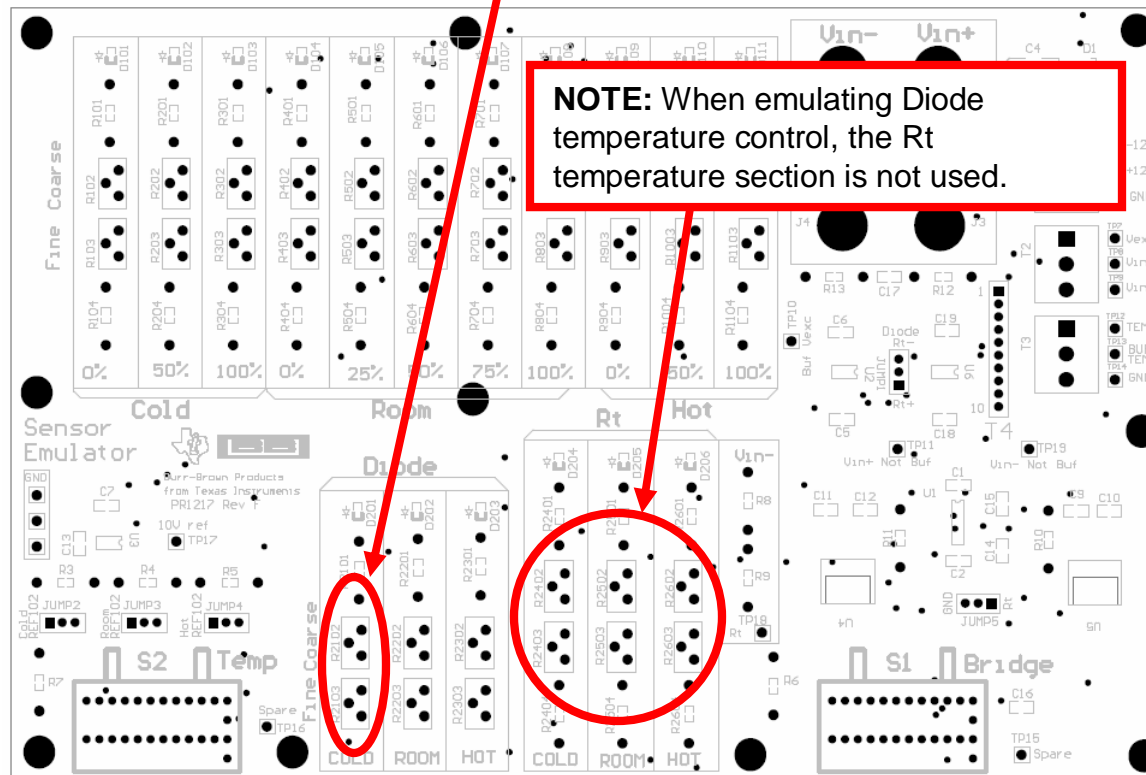


The second tab in the spreadsheet allows the user to enter the temperature range and room temperature diode voltage (light blue areas). The spreadsheet calculates the diode voltages and displays the results in the yellow areas. Note that the Temp ADC area is specific to the PGA309 sensor signal conditioning chip. The Temp ADC values will be used in the computation of the *Counts* for the temp ADC. The next several pages will show how the diode voltages are used to program the sensor emulator.

	A	B	C	D	E	F
10						
11	Temp range:	degC		Temp(degC)	Diode Vbe (V)	Counts
12	Tmin=	-45.00		-45.00	0.75	24000
13	Troom=	20.00		20.00	0.62	19840
14	Tmax=	90.00		90.00	0.48	15360
15						
16	Diode	Volts				
17	Room Temp Vbe=	0.62				
18						
19	Temp ADC					
20	Vref (in V) =	4.096				
21	Numb Bits	16				
22	Gain=	4				
23						
24						
25						
26						
27						

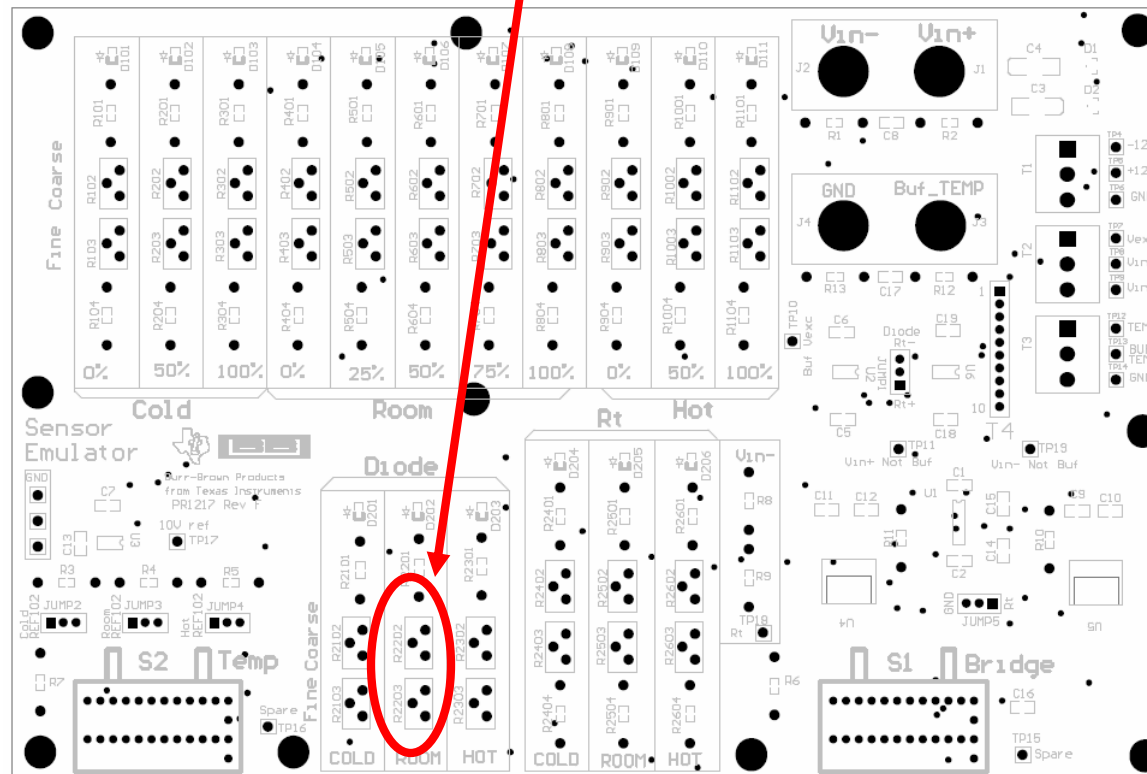
Temp(degC)	Diode Vbe (V)	Counts
-45.00	0.81	25920
20.00	0.68	21760
90.00	0.54	17280

The temperature output signal at cold temperature (-45°C) is emulated by this channel. The rotary switch S2 is used to select this channel. When the channel is selected, LED D201 will light to indicate that the correct channel is selected.



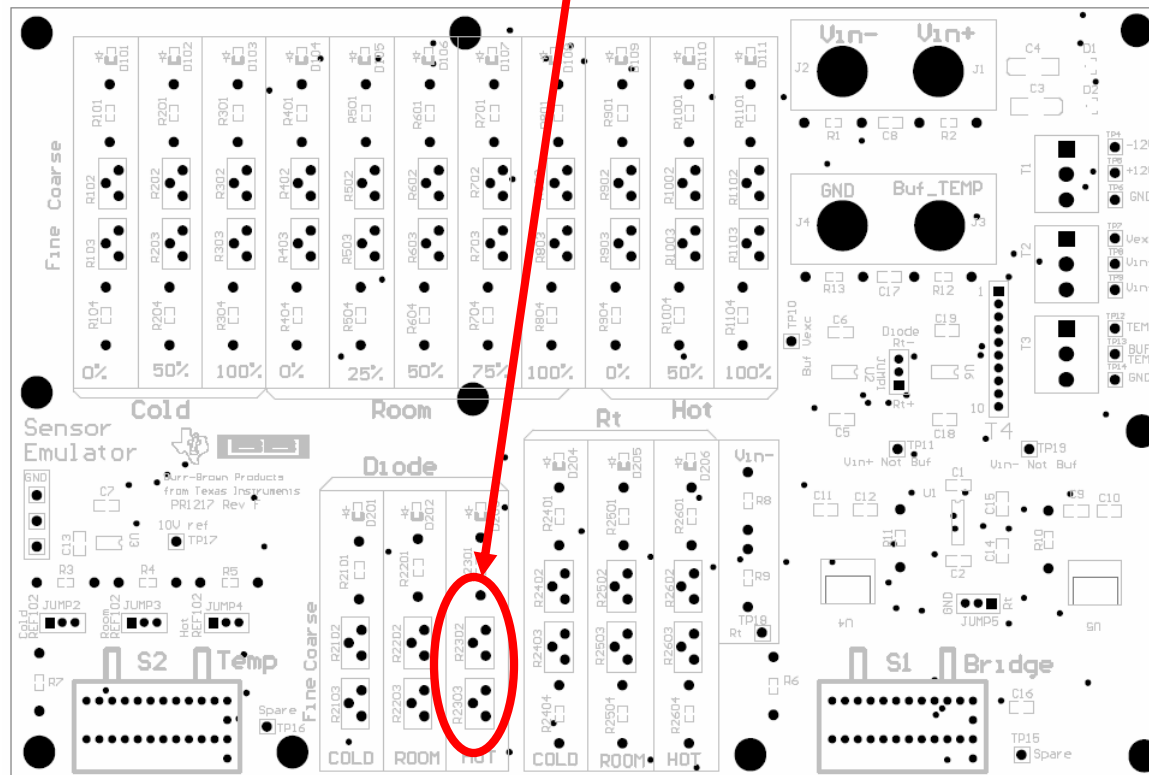
Temp(degC)	Diode Vbe (V)	Counts
-45.00	0.81	25920
20.00	0.68	21760
90.00	0.54	17280

The temperature output signal at room temperature (25°C) is emulated by this channel. The rotary switch S2 is used to select this channel. When the channel is selected, LED D202 will light to indicate that the correct channel is selected.



Temp(degC)	Diode Vbe (V)	Counts
-45.00	0.81	25920
20.00	0.68	21760
90.00	0.54	17280

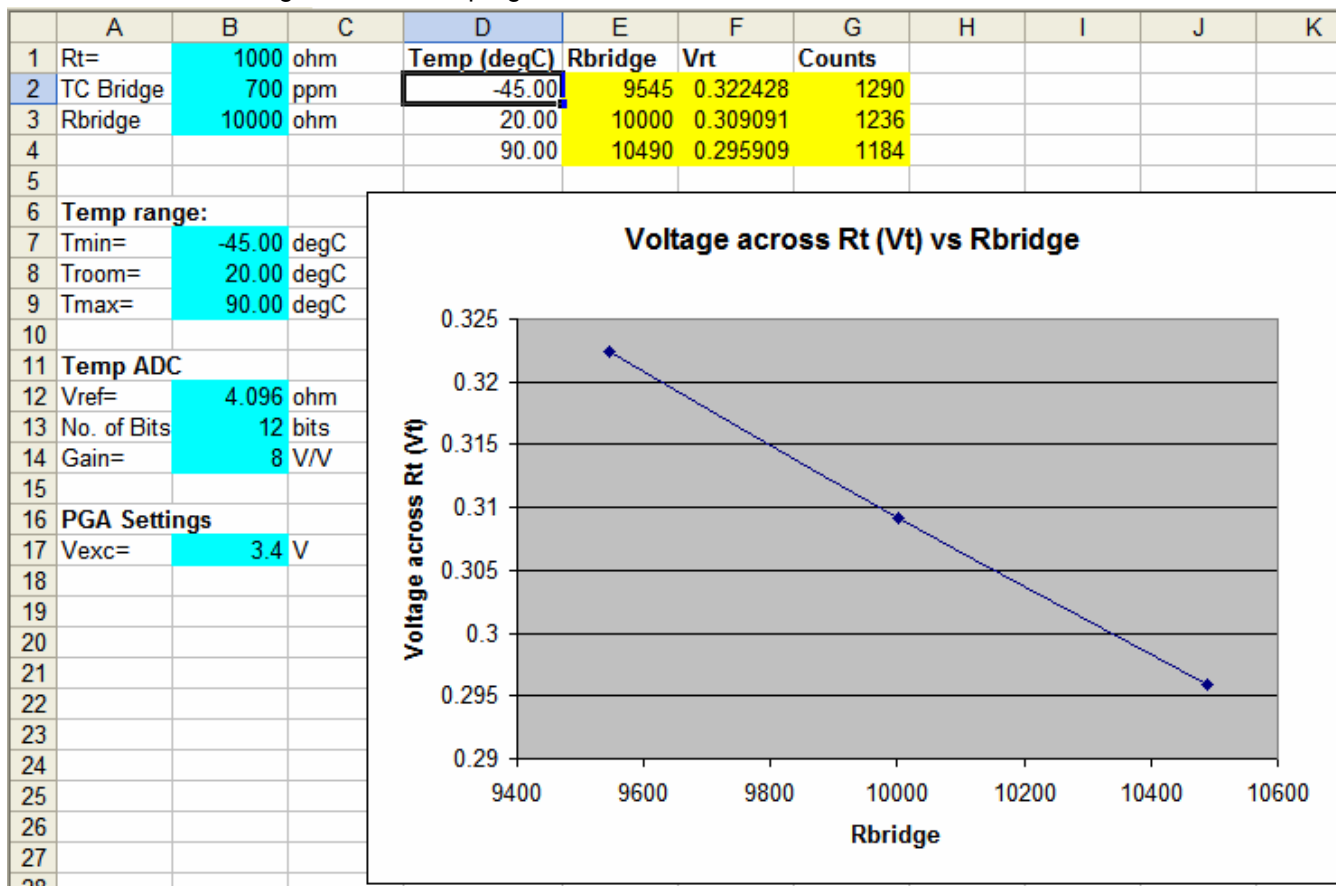
The temperature output signal at hot temperature (85°C) is emulated by this channel. The rotary switch S2 is used to select this channel. When the channel is selected, LED D203 will light to indicate that the correct channel is selected.



Generate Rt Voltages based on Operating Temperature Range and System Parameters

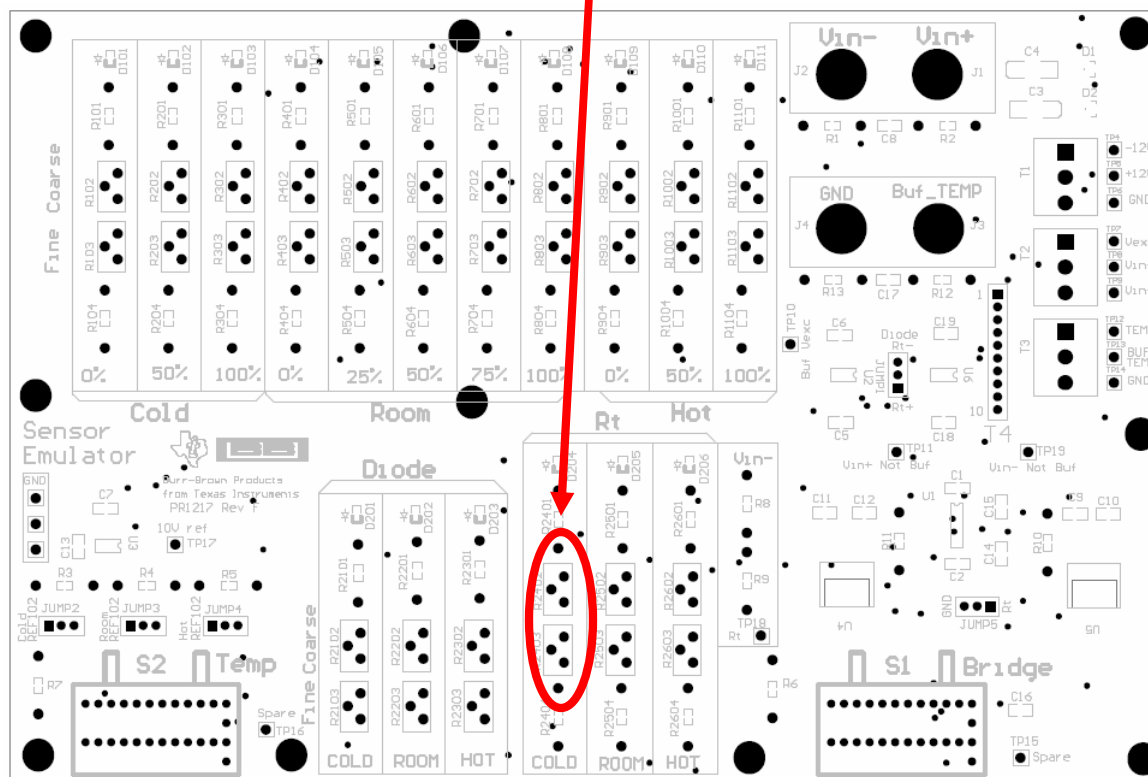


The third tab in the spreadsheet allows the user to enter the temperature range and other system parameters in the light blue areas. The spreadsheet calculates the voltage level of the temperature signal and displays this in the yellow areas. Note that the Temp ADC area is specific to the PGA309 sensor signal conditioning chip. The Temp ADC values will be used in the computation of the *Counts* for the Temp ADC. The next several pages will show how the Rt voltages are used to program the sensor emulator.



D	E	F	G
Temp (degC)	Rbridge	Vrt	Counts
-45.00	9545	0.322428	1290
20.00	10000	0.309091	1236
90.00	10490	0.295909	1184

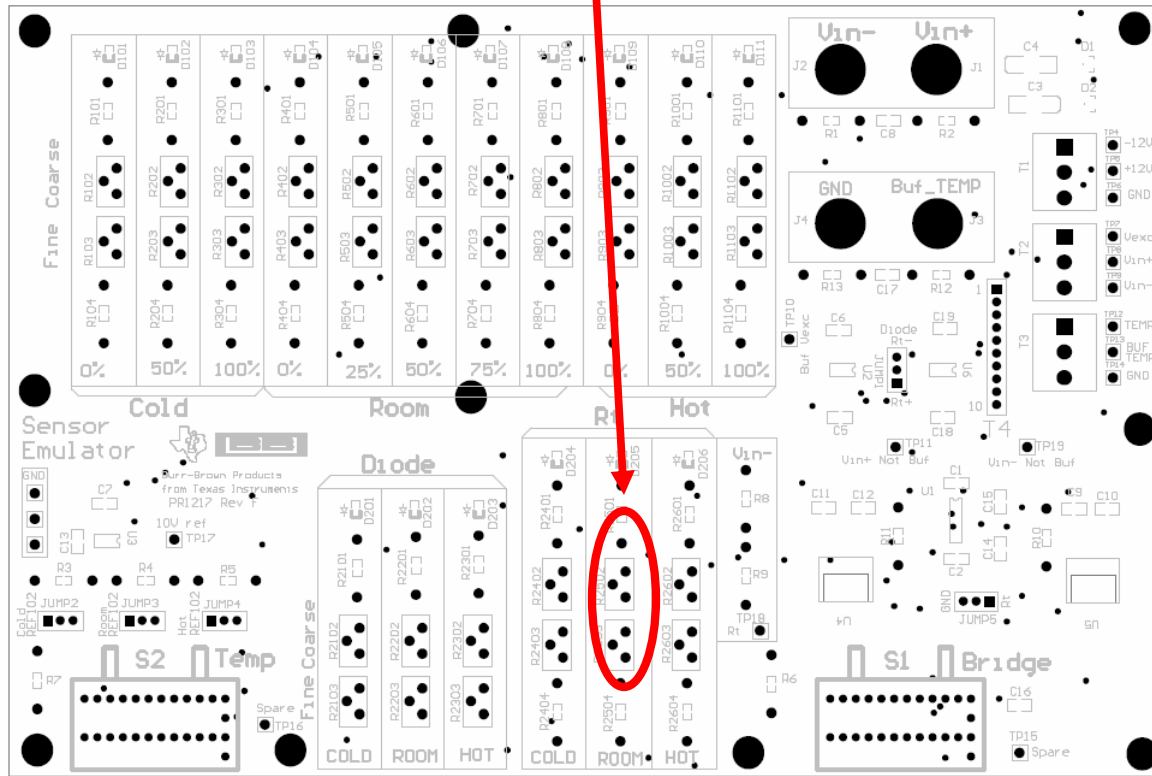
The temperature output signal at cold temperature (-45°C) is emulated by this channel. The rotary switch S2 is used to select this channel. When the channel is selected, LED D204 will light to indicate that the correct channel is selected.



D	E	F	G
Temp (degC)	Rbridge	Vrt	Counts
-45.00	9545	0.322428	1290
20.00	10000	0.309091	1236
90.00	10490	0.295909	1184

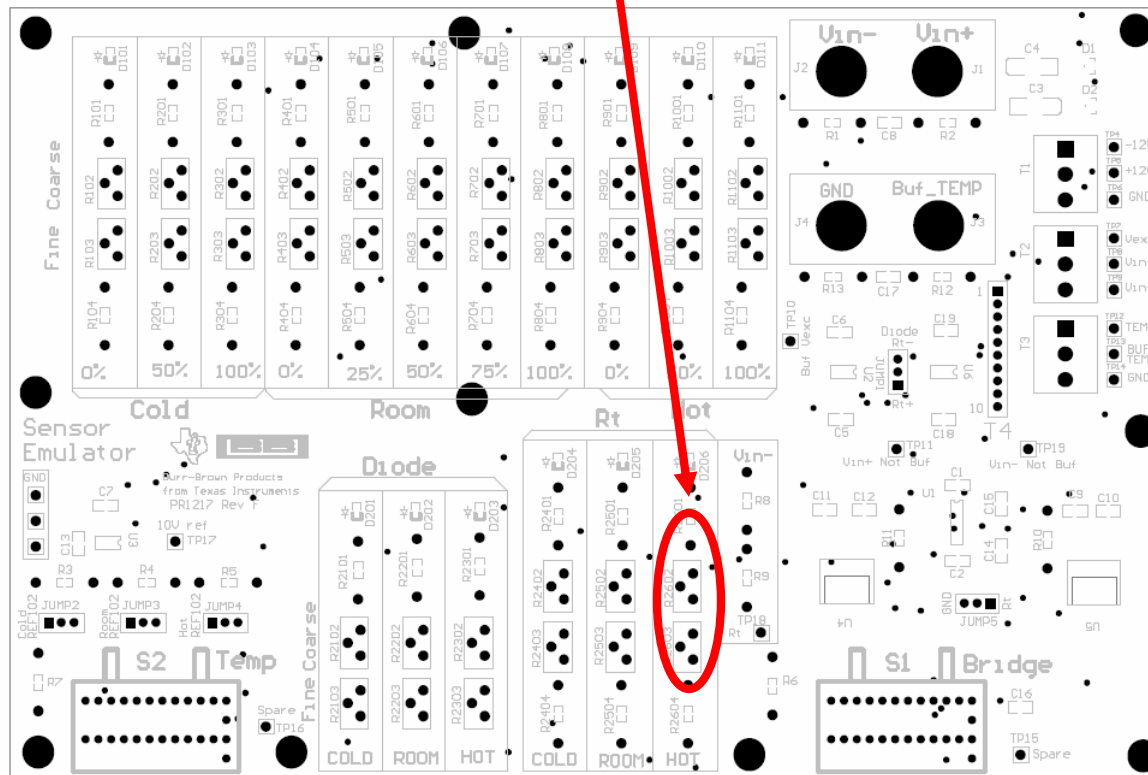


The temperature output signal at room temperature (20°C) is emulated by this channel. The rotary switch S2 is used to select this channel. When the channel is selected, LED D204 will light to indicate that the correct channel is selected.

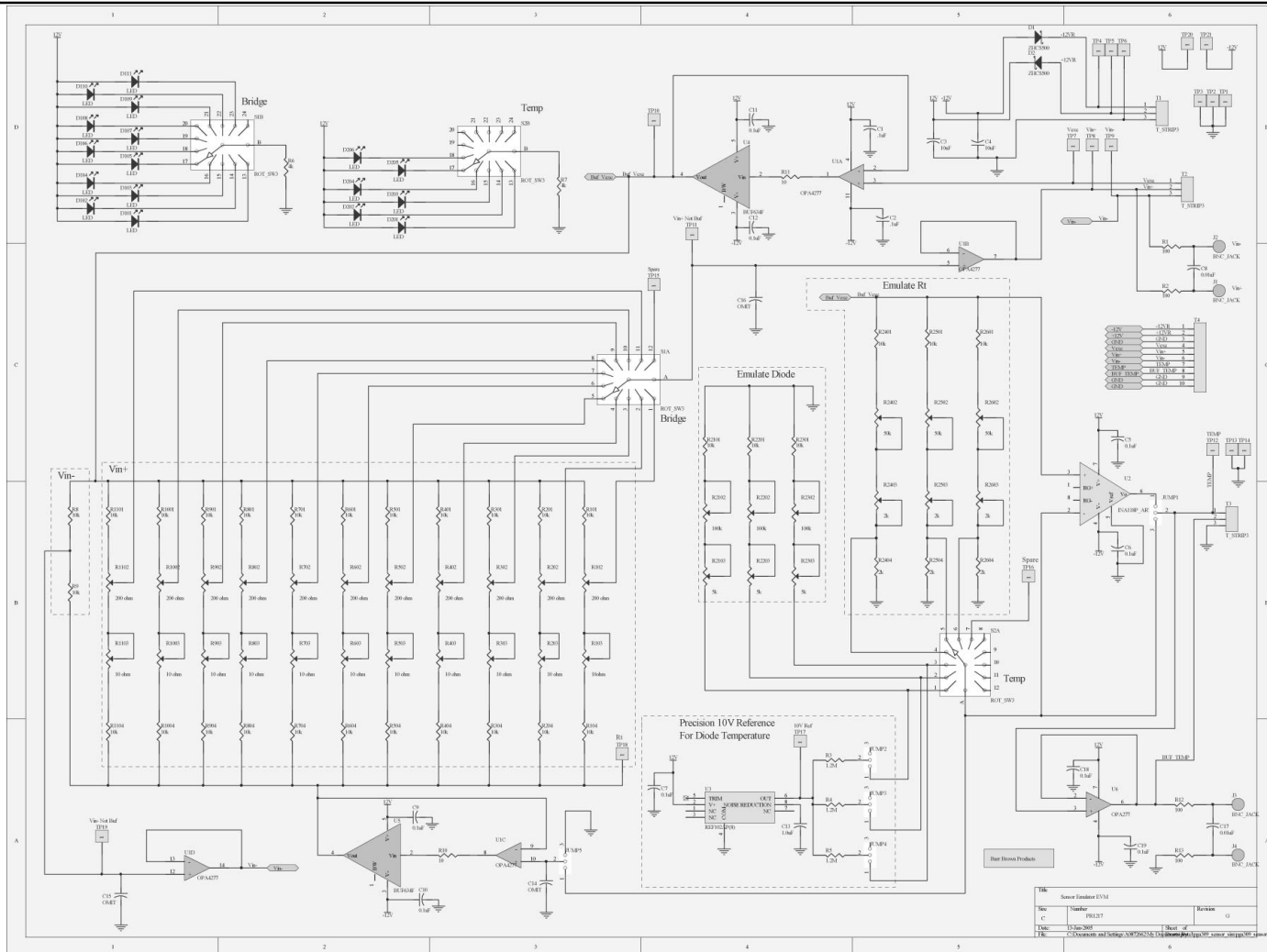


D	E	F	G
Temp (degC)	Rbridge	Vrt	Counts
-45.00	9545	0.322428	1290
20.00	10000	0.309091	1236
90.00	10490	0.295909	1184

The temperature output signal at hot temperature (90°C) is emulated by this channel. The rotary switch S2 is used to select this channel. When the channel is selected, LED D204 will light to indicate that the correct channel is selected.



6.0 Schematic



7.0 Parts List

Sensor Emulator Board Parts List

Matches PR1217 Rev G

Qty/EVM	Ref Des	Description	Part No.	Mfr.	Disti	Disti Part No.
2	J1, J3	POST BINDING INSUL GROUNDED RED	111-0702-001	Johnson Components	Digikey	111-0702-001-ND
2	J2, J4	POST BINDING INSUL GROUNDED BLACK	111-0703-001	Johnson Components	Digikey	111-0703-001-ND
3	T1-T3	3-Position Terminal Strip, Cage Clamp, 45°, 15A, Dove-tailed	ED300/3	On-Shore Technology Inc	Digikey	ED1620-ND
11	C1, C2, C5, C6, C7, C9, C10, C11, C12, C18, C19	CAP .1UF 25V CERAMIC X7R 0805	ECJ-2VB1E104K	Yageo America	Digikey	PCC1828CT-ND
2	C8, C17	CAP 0.01uF 50V CERAMIC X7R 0805	C0805C103K5RACTU	Kemet	Digikey	399-1158-1-ND
1	C13	CAP CERAMIC 1UF 25V X5R 0805	ECJ-2FB1E105K	Panasonic - ECG	Digikey	PCC2319CT-ND
2	C3, C4	CAPACITOR TANT 10UF 20V 10% SMD Size C	T491C106K020AS	Kemet	Digikey	399-1614-1-ND
2	C14, C15, C16	OMIT (LEAVE BLANK ON PCB)				
11	R103, R203, R303, R403, R503, R603, R703, R803, R903, R1003, R1103	10ohm 25turn pot	3296Y-1-100	Bourns Inc	Digikey	3296Y-100-ND
11	R102, R202, R302, R402, R502, R602, R702, R802, R902, R1002, R1102	200ohm 25turn pot	3296Y-1-201	Bourns Inc	Digikey	3296Y-201-ND
3	R2102, R2202, R2302	100k 25 turn pot	3296Y-1-104	Bourns Inc	Digikey	3296Y-104-ND
3	R2103, R2203, R2303	5k 25 turn pot	3296Y-1-502	Bourns Inc	Digikey	3296Y-502-ND
3	R2403, R2503, R2603	2k 25 turn pot	3296Y-1-202	Bourns Inc	Digikey	3296Y-202-ND
3	R2402, R2502, R2602	50k 25 turn pot	3296Y-1-503	Bourns Inc	Digikey	3296Y-503-ND
30	R101, R201, R301, R401, R501, R601, R701, R801, R901, R1001, R1101, R104, R204, R304, R404, R504, R604, R704, R804, R904, R1004, R1104, R8, R9, R2401, R2501, R2601, R2101, R2201, R2301	RES 10K OHM 1/16W .1% 0603 SMD	ERA-3YEB103V	Panasonic - ECG	Digikey	P10KYCT-ND
3	R2404, R2504, R2604	RES 2.0K OHM 1/16W .1% 0603 SMD	ERA-3YEB202V	Panasonic - ECG	Digikey	P2.0KYCT-ND
2	R6, R7	4.02k 1/16W 1% 0603 SMD	9C06031A4021FKHFT	Yageo America	Digikey	311-4.02KHCT-ND
2	R10, R11	RES 10.0 OHM 1/16W 1% 0603 SMD	ERJ-3EKF10R0V	Yageo America	Digikey	P10.0HCT-ND
4	R1, R2, R12, R13	RES 100 OHM 1/16W .1% 0603 SMD	ERA-3YEB101V	Panasonic - ECG	Digikey	P100YCT-ND
3	R3, R4, R5	RESISTOR 1.20M OHM 1/16W 1% 0603 SWITCH ROTARY DP-12POS ENCLOSED	ERJ-3EKF1204V	Panasonic - ECG	Digikey	P1.20MHCT-ND
2	S1-S2	ENCLOSED	C3P0212N-A	Bourns Inc	Digikey	451-1007-ND
5	JUMP1-JUMP5	3-Position Pin Strip Header	PEG03SS-GBR	Crane Connectors	Bisco Industries	
5	Jumpers for JUMP1-JUMP5	Jumper Shorting Units	881545-2	Amp	Digikey	A26242-ND
17	D101, D102, D103, D104, D105, D106, D107, D108, D109, D110, D201, D202, D203, D204, D205, D206	Ultra Bright Red Diffused LED, 0603 pkg	LNJ208R8ARA	Panasonic	Digikey	P524CT-ND

Parts List, *cont'd*



Sensor Emulator Board Parts List

Matches PR1217 Rev G

Qty/EVM	Ref Des	Description	Part No.	Mfr.	Disti	Disti Part No.
2	D1, D2	DIODE SCHOTTKY 40V 0.5A SOT-23	ZHCS500TA	Zetex Inc	Digikey	ZHCS500CT-ND
1	U1	OPA4277UA	OPA4277UA	Texas Instruments	Digikey	OPA4277UA-ND
1	U2	INA118U	INA118U	Texas Instruments	Digikey	INA118U-ND
1	U3	REF102AU	REF102AU	Texas Instruments	Digikey	REF102AU-ND
2	U4 - U5	BUF634F	BUF634FKTTT	Texas Instruments	Digikey	296-15904-1-ND
1	U6	OPA277UA -- IC PRECISION OPAMP SO-8	OPA277UA	Texas Instruments	Digikey	OPA277UA-ND
10		4-40 hex standoffs, Threaded, 0.500" length, 0.250" OD, Aluminum Iridite Finish	2203	Keystone	Digikey	2203K-ND
10		4-40x3/8" Philips PanHead Machine Screw, Steel, Zinc Plated	PMS 440 0038 PH	Building Fasteners	Digikey	H781-ND
2		KNOB INSTRUM SGL BAR RND .5"DIA	8567	Keystone Electronics	Digikey	8567K-ND

IMPORTANT NOTICE

Texas Instruments Incorporated and its subsidiaries (TI) reserve the right to make corrections, modifications, enhancements, improvements, and other changes to its products and services at any time and to discontinue any product or service without notice. Customers should obtain the latest relevant information before placing orders and should verify that such information is current and complete. All products are sold subject to TI's terms and conditions of sale supplied at the time of order acknowledgment.

TI warrants performance of its hardware products to the specifications applicable at the time of sale in accordance with TI's standard warranty. Testing and other quality control techniques are used to the extent TI deems necessary to support this warranty. Except where mandated by government requirements, testing of all parameters of each product is not necessarily performed.

TI assumes no liability for applications assistance or customer product design. Customers are responsible for their products and applications using TI components. To minimize the risks associated with customer products and applications, customers should provide adequate design and operating safeguards.

TI does not warrant or represent that any license, either express or implied, is granted under any TI patent right, copyright, mask work right, or other TI intellectual property right relating to any combination, machine, or process in which TI products or services are used. Information published by TI regarding third-party products or services does not constitute a license from TI to use such products or services or a warranty or endorsement thereof. Use of such information may require a license from a third party under the patents or other intellectual property of the third party, or a license from TI under the patents or other intellectual property of TI.

Reproduction of information in TI data books or data sheets is permissible only if reproduction is without alteration and is accompanied by all associated warranties, conditions, limitations, and notices. Reproduction of this information with alteration is an unfair and deceptive business practice. TI is not responsible or liable for such altered documentation.

Resale of TI products or services with statements different from or beyond the parameters stated by TI for that product or service voids all express and any implied warranties for the associated TI product or service and is an unfair and deceptive business practice. TI is not responsible or liable for any such statements.

Following are URLs where you can obtain information on other Texas Instruments products and application solutions:

Products		Applications	
Amplifiers	amplifier.ti.com	Audio	www.ti.com/audio
Data Converters	dataconverter.ti.com	Automotive	www.ti.com/automotive
DSP	dsp.ti.com	Broadband	www.ti.com/broadband
Interface	interface.ti.com	Digital Control	www.ti.com/digitalcontrol
Logic	logic.ti.com	Military	www.ti.com/military
Power Mgmt	power.ti.com	Optical Networking	www.ti.com/opticalnetwork
Microcontrollers	microcontroller.ti.com	Security	www.ti.com/security
		Telephony	www.ti.com/telephony
		Video & Imaging	www.ti.com/video
		Wireless	www.ti.com/wireless

Mailing Address: Texas Instruments
Post Office Box 655303 Dallas, Texas 75265

Copyright © 2005, Texas Instruments Incorporated

